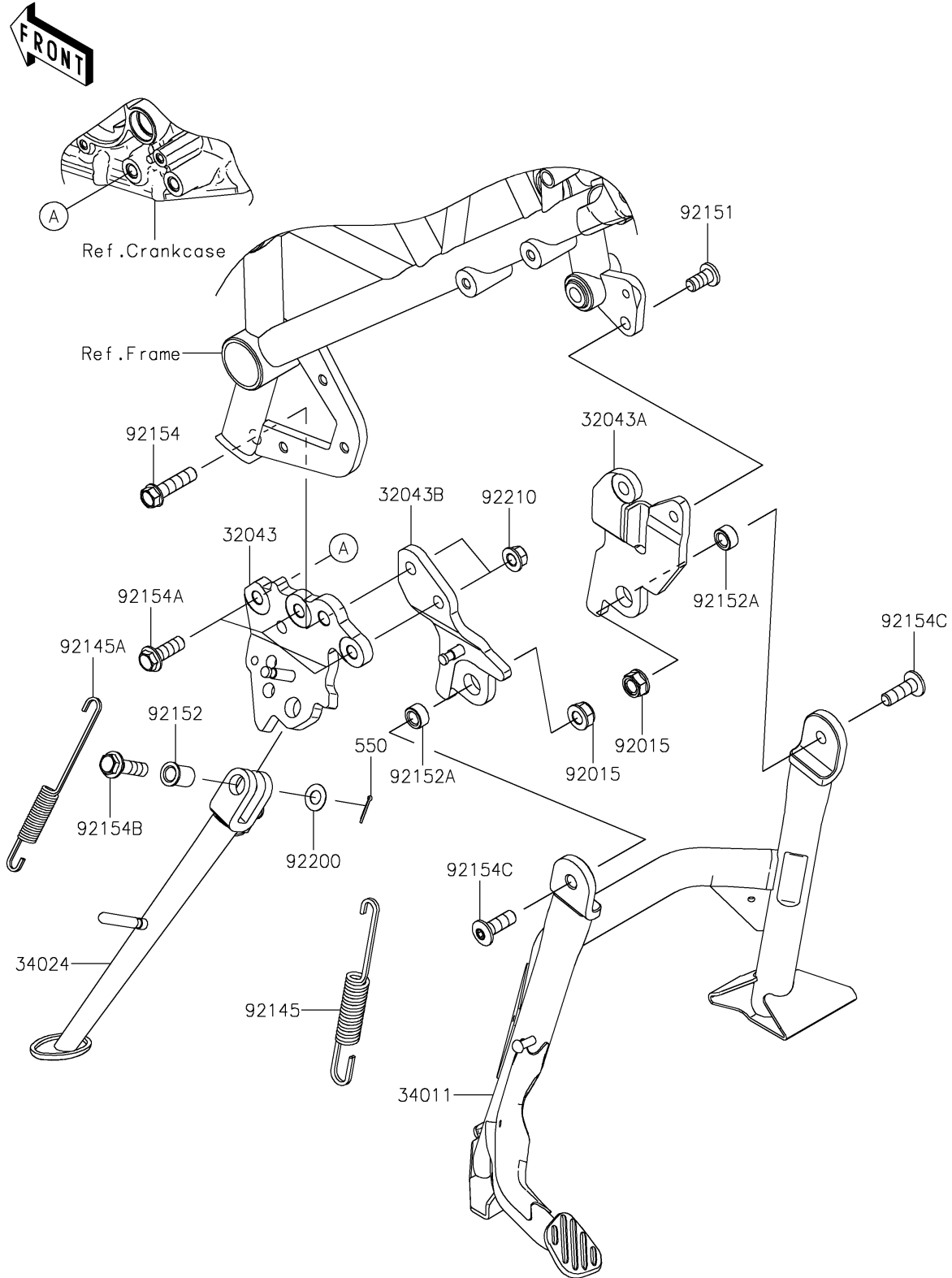


2020 NINJA H2® SX SE+ PARTS DIAGRAM

Stand(s)

F2190



2020 NINJA H2® SX SE+ PARTS LIST

Stand(s)

ITEM NAME	PART NUMBER	QUANTITY
BRACKET-STAND (Ref # 32043)	32043-0625	1
BRACKET-STAND,RH (Ref # 32043A)	32043-0627	1
BRACKET-STAND,LH (Ref # 32043B)	32043-0655	1
STAND-CENTER (Ref # 34011)	34011-0038	1
STAND-SIDE (Ref # 34024)	34024-0150	1
NUT,LOCK,FLANGED,10MM (Ref # 92015)	92015-1717	2
SPRING,CENTER STAND (Ref # 92145)	92145-1550	1
SPRING,14X144 (Ref # 92145A)	92145-1792	1
BOLT,SOCKET,10X20 (Ref # 92151)	92151-1557	1
COLLAR,10.2X15X20.1 (Ref # 92152)	92152-1828	1
COLLAR,10X17X9 (Ref # 92152A)	92152-2501	2
BOLT,FLANGED,10X40 (Ref # 92154)	92154-0313	1
BOLT,FLANGED,10X30 (Ref # 92154A)	92154-1645	3
BOLT,FLANGED,10X35,MEC (Ref # 92154B)	92154-2905	1
BOLT,SOCKET,10X30 (Ref # 92154C)	92154-4029	2
WASHER,10.2X20X0.5 (Ref # 92200)	92200-1732	1
NUT,LOCK,FLANGED,10MM (Ref # 92210)	92210-1139	2
PIN-COTTER,2.0X15 (Ref # 550)	550AA2015	1