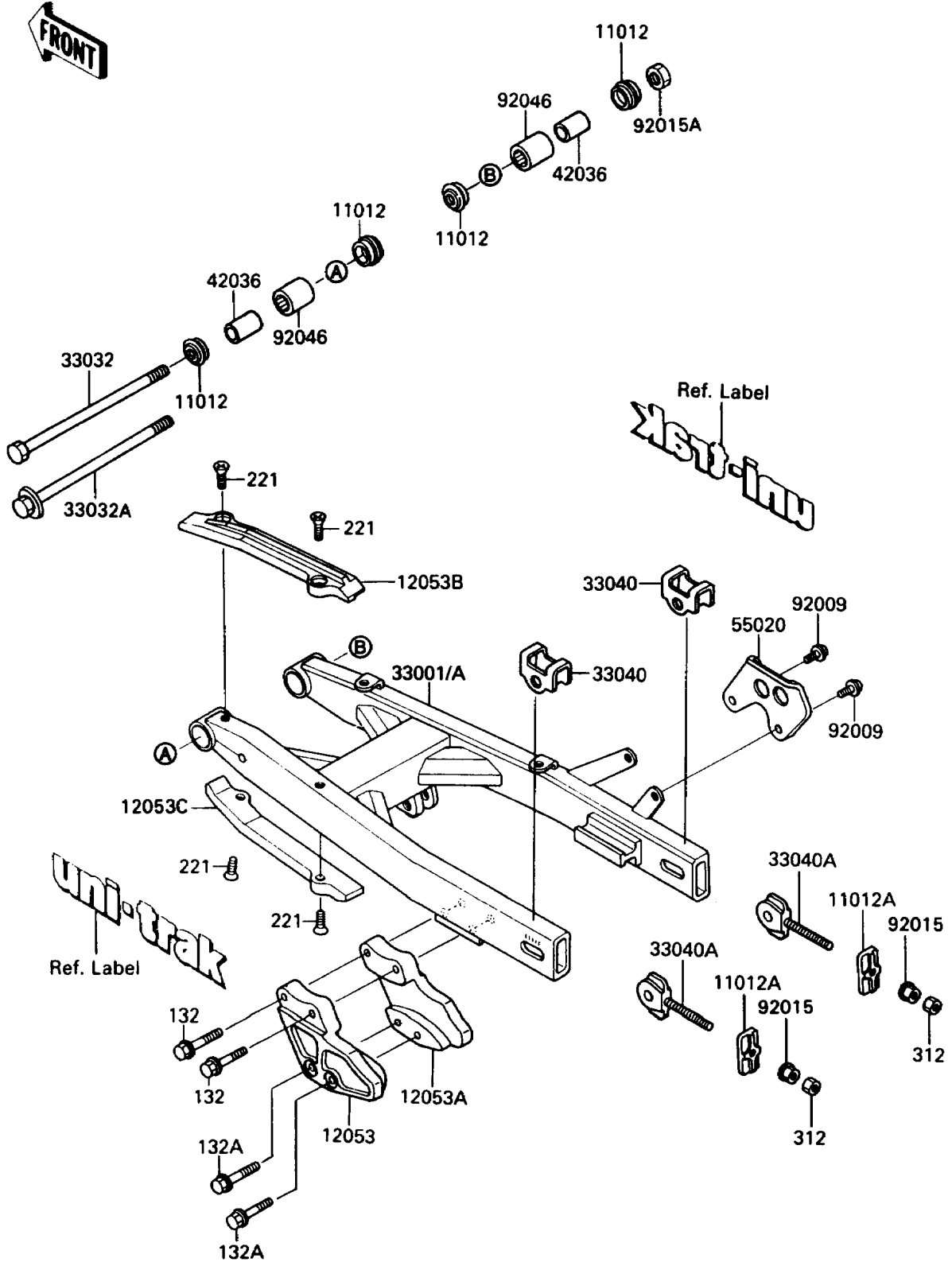


1990 KX80 PARTS DIAGRAM

Swingarm

F2111-0060



1990 KX80 PARTS LIST

Swingarm

ITEM NAME	PART NUMBER	QUANTITY
CAP (Ref # 11012)	11012-1263	4
CAP,CHAIN ADJUSTER (Ref # 11012A)	11012-1601	2
GUIDE-CHAIN,RR,LH (Ref # 12053)	12053-1203	1
GUIDE-CHAIN,RR,RH (Ref # 12053A)	12053-1204	1
GUIDE-CHAIN,FR,UPP (Ref # 12053B)	12053-1237	1
GUIDE-CHAIN,FR,LWR (Ref # 12053C)	12053-1256	1
ARM-COMP-SWING,SILVER NO.25 (Ref # 33001)	33001-1321-CE	1
SHAFT-SWING ARM (Ref # 33032A)	33032-1154	1
ADJUSTER-CHAIN,OUTSIDE (Ref # 33040)	33040-1066	2
ADJUSTER-CHAIN,INSIDE (Ref # 33040A)	33040-1081	2
SLEEVE,SWING ARM,L=34 (Ref # 42036)	42036-1067	2
GUARD,CALIPER (Ref # 55020)	55020-1247	1
SCREW,6X14,WHITE (Ref # 92009)	92009-1287	2
NUT,FLANGED,6MM (Ref # 92015)	92015-1078	2
NUT,LOCK,12MM (Ref # 92015A)	92015-1774	1
BEARING-NEEDLE (Ref # 92046)	92046-1046	2
BOLT-FLANGED-SMALL (Ref # 132)	132G0640	2
BOLT-FLANGED-SMALL (Ref # 132A)	132G0645	2
SCREW-CSK-CROS,6X10 (Ref # 221)	221B0610	4
NUT-HEX,6MM (Ref # 312)	312B0600	2