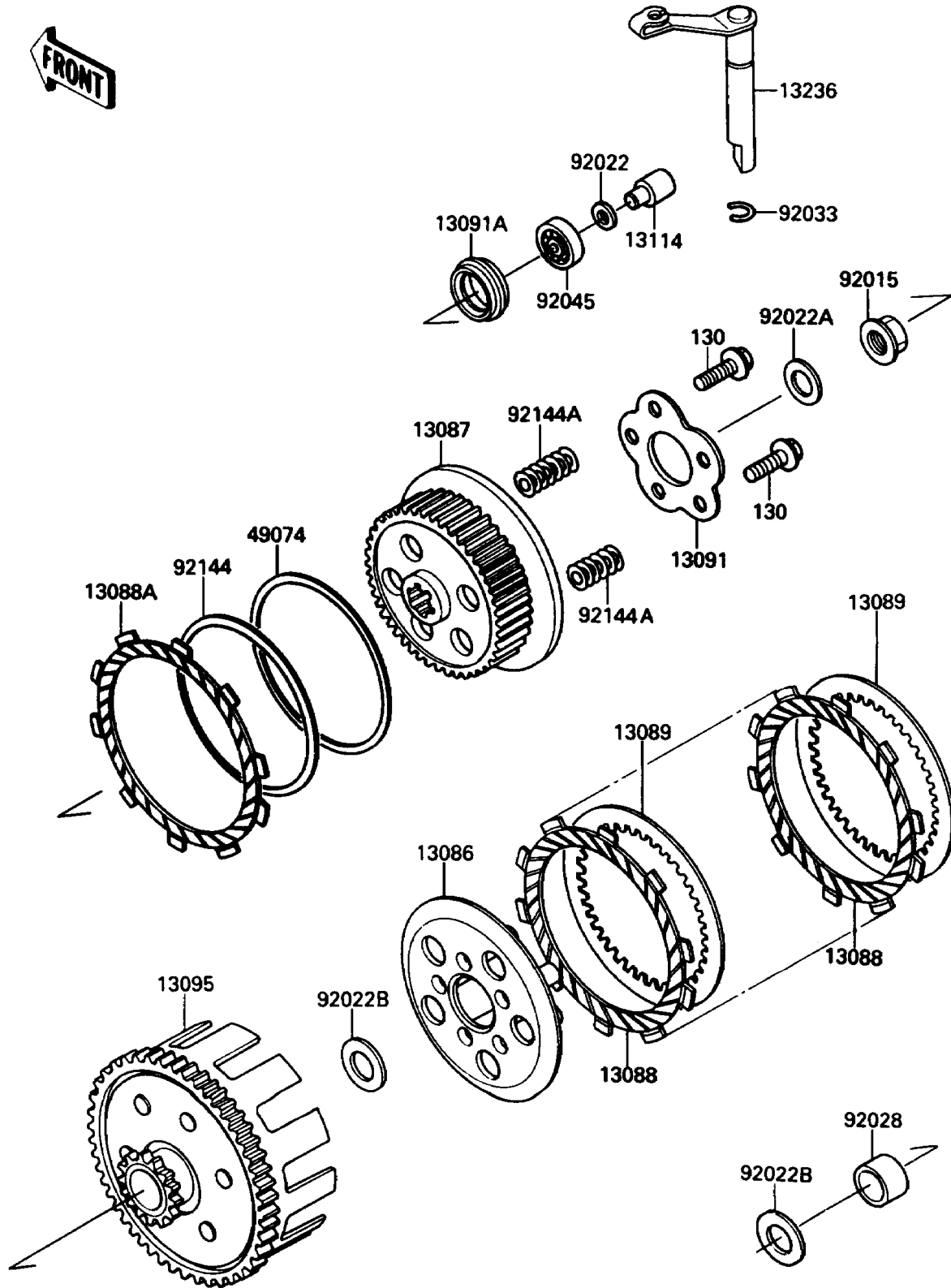


## 1989 KX80 PARTS DIAGRAM

Clutch

E1350-0160



## 1989 KX80 PARTS LIST

### Clutch

| ITEM NAME                         | PART NUMBER | QUANTITY |
|-----------------------------------|-------------|----------|
| WHEEL-CLUTCH (Ref # 13086)        | 13086-1058  | 1        |
| HUB-CLUTCH (Ref # 13087)          | 13087-1090  | 1        |
| PLATE-FRICTION (Ref # 13088)      | 13088-1070  | 1        |
| PLATE-FRICTION (Ref # 13088A)     | 13088-1082  | 1        |
| PLATE-CLUTCH,STEEL (Ref # 13089)  | 13089-1009  | 1        |
| HOLDER,CLUTCH (Ref # 13091)       | 13091-1324  | 1        |
| HOLDER (Ref # 13091A)             | 13091-1517  | 1        |
| HOUSING-COMP-CLUTCH (Ref # 13095) | 13095-1165  | 1        |
| PUSHER-CLUTCH (Ref # 13114)       | 13114-1053  | 1        |
| LEVER-COMP,RELEASE (Ref # 13236)  | 13236-1158  | 1        |
| PLATE-THRUST (Ref # 49074)        | 49074-1052  | 1        |
| NUT (Ref # 92015)                 | 92015-1706  | 1        |
| WASHER,7X12.5X0.8 (Ref # 92022)   | 92022-1290  | 1        |
| WASHER,12.3X23X2.3 (Ref # 92022A) | 92022-1911  | 1        |
| WASHER,17.3X28X1 (Ref # 92022B)   | 92022-255   | 1        |
| BUSHING,17X22X21.1 (Ref # 92028)  | 92028-1149  | 1        |
| RING-SNAP (Ref # 92033)           | 92036-023   | 1        |
| BEARING-BALL (Ref # 92045)        | 92045-1236  | 1        |
| SPRING (Ref # 92144)              | 92144-1370  | 1        |
| SPRING,CLUTCH (Ref # 92144A)      | 92144-1384  | 1        |
| BOLT-FLANGED (Ref # 130)          | 130P0520    | 1        |