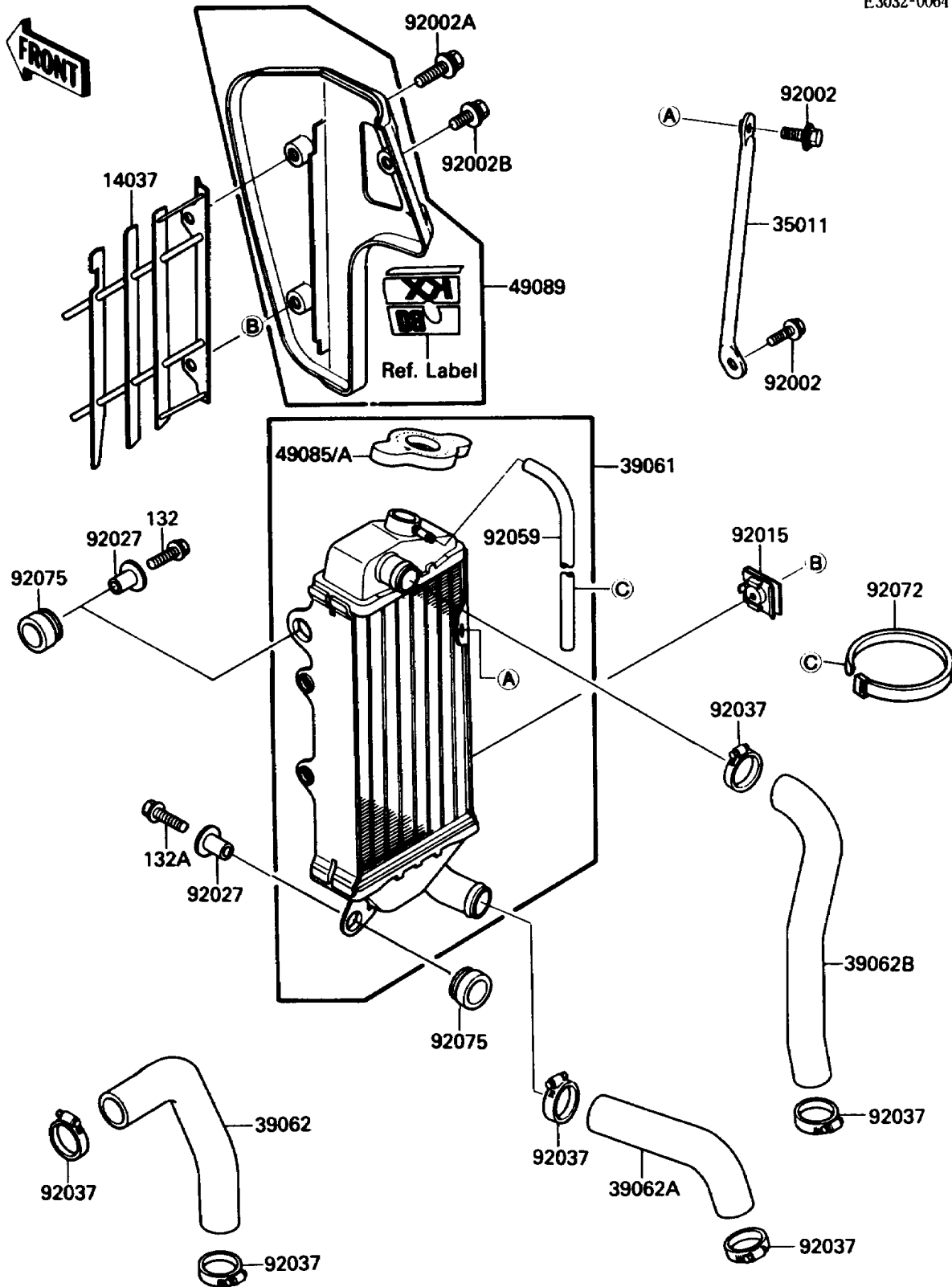


1988 KX80 PARTS DIAGRAM

Radiator

E3032-0064



1988 KX80 PARTS LIST

Radiator

ITEM NAME	PART NUMBER	QUANTITY
SCREEN,RADIATOR,L.GREEN (Ref # 14037)	14037-1097-6W	1
STAY,RADIATOR (Ref # 35011)	35011-1258	1
RADIATOR-ASSY (Ref # 39061)	39061-1118	1
HOSE-COOLING,PUMP-CYLINDER (Ref # 39062)	39062-1134	1
HOSE-COOLING,RADIATOR,LWR (Ref # 39062A)	39062-1136	1
HOSE-COOLING,HEAD-RADIATOR (Ref # 39062B)	39062-1250	1
CAP-ASSY-PRESSURE (Ref # 49085)	49085-1003	1
CAP-ASSY-PRESSURE,P=1.6 (Ref # 49085A)	49085-1059	1
SHROUD-ENGINE,RH,L.GREEN (Ref # 49089)	49089-5034-6W	1
BOLT,6X14 (Ref # 92002)	92002-1460	2
BOLT,6X16 (Ref # 92002A)	92002-1461	2
BOLT,L=12 (Ref # 92002B)	92002-1662	1
NUT (Ref # 92015)	92015-1487	2
COLLAR (Ref # 92027)	92027-1183	2
CLAMP,COOLING HOSE (Ref # 92037)	92037-1589	6
TUBE,5X9X600 (Ref # 92059)	92059-1259	1
BAND,L=186 (Ref # 92072)	92072-056	1
DAMPER (Ref # 92075)	92075-1352	2
BOLT-FLANGED-SMALL (Ref # 132)	132G0620	1
BOLT-FLANGED-SMALL (Ref # 132A)	132G0625	1