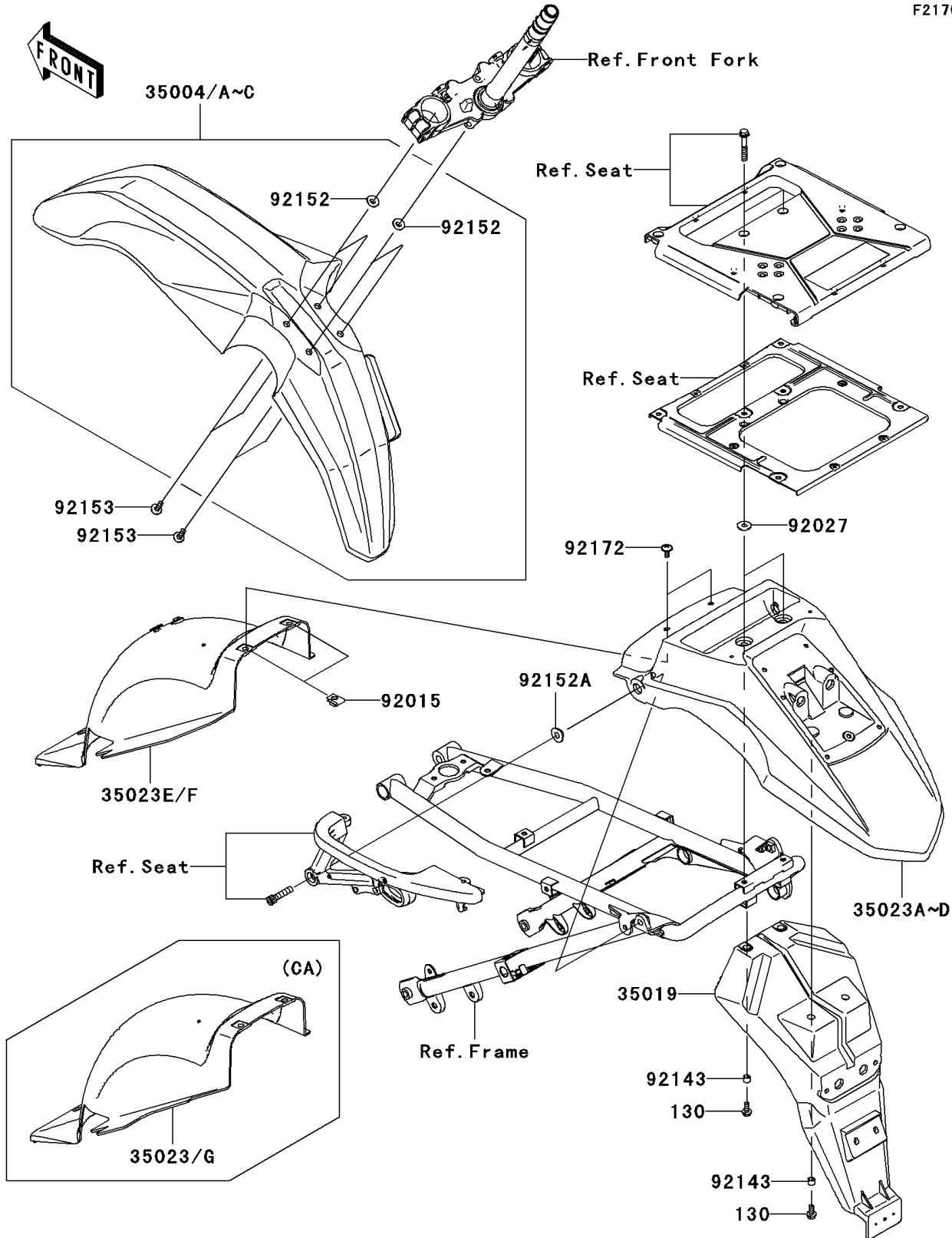


2010 KLR™650 PARTS DIAGRAM

Fenders

F2170



2010 KLR™650 PARTS LIST

Fenders

ITEM NAME	PART NUMBER	QUANTITY
BOLT-FLANGED,6X14 (Ref # 130)	130BA0614	1
FENDER-FRONT,EBONY (Ref # 35004B)	35004-0102-6C	1
FLAP (Ref # 35019)	35019-0070	1
FENDER-REAR,RR,EBONY (Ref # 35023C)	35023-0086-6C	1
NUT,6MM (Ref # 92015)	92015-1602	1
COLLAR,L=5.1 (Ref # 92027)	92027-1260	1
COLLAR,6.8X10X7 (Ref # 92143)	92143-1407	1
COLLAR (Ref # 92152)	92152-0427	1
COLLAR (Ref # 92152A)	92152-0596	1
BOLT,6X20 (Ref # 92153)	92153-1523	1
SCREW,6X14 (Ref # 92172)	92172-0004	1
FENDER-REAR,FR (Ref # 35023F)	35023-0178	1
FENDER-REAR,FR (Ref # 35023G)	35023-0179	1