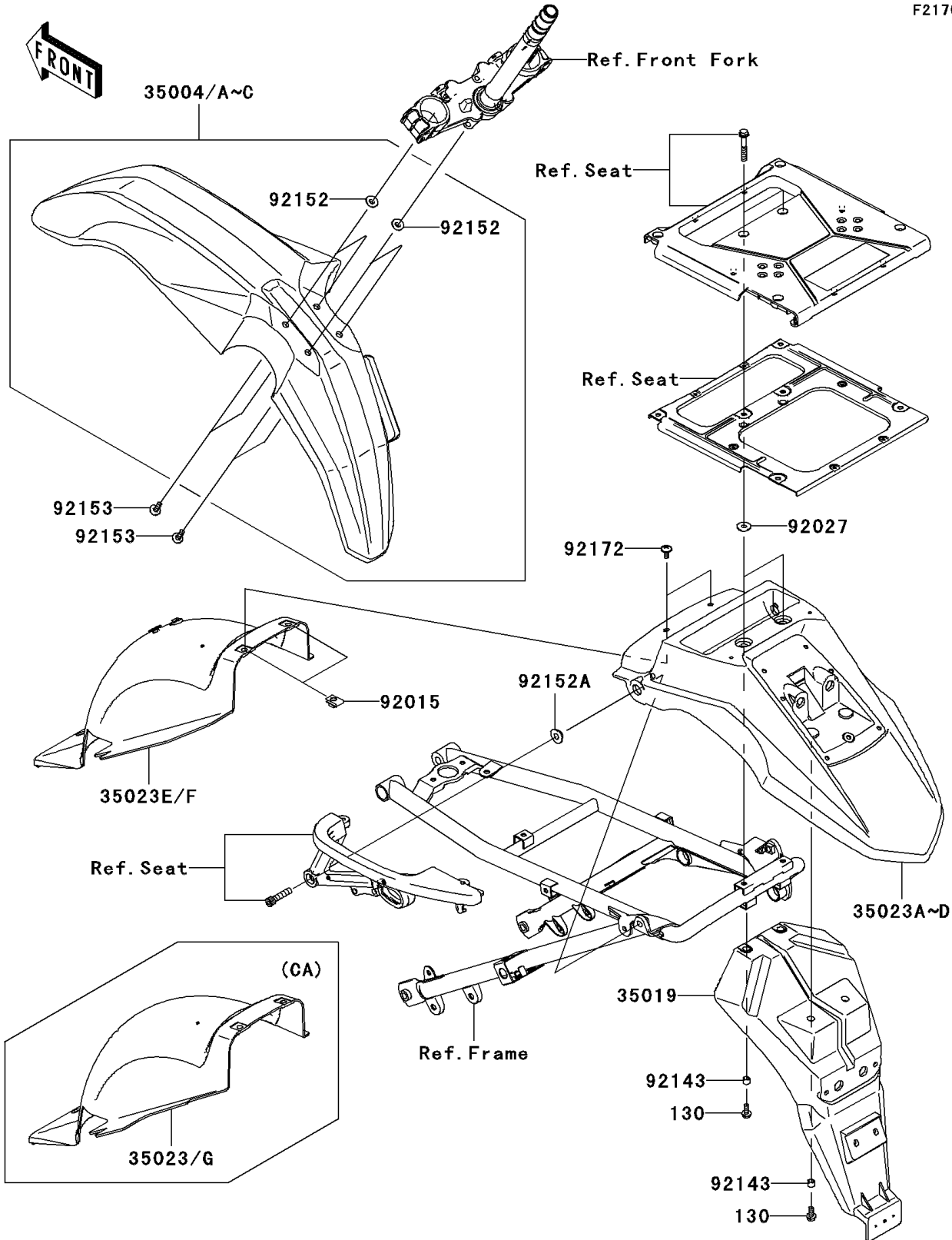


2009 KLR™ 650 PARTS DIAGRAM

Fenders

F2170



2009 KLR™ 650 PARTS LIST

Fenders

ITEM NAME	PART NUMBER	QUANTITY
BOLT-FLANGED,6X14 (Ref # 130)	130BA0614	4
FENDER-FRONT,O.BLUE (Ref # 35004)	35004-0102-274	1
FENDER-FRONT,S.RED (Ref # 35004A)	35004-0102-6B	1
FENDER-FRONT,EBONY (Ref # 35004B)	35004-0102-6C	1
FLAP (Ref # 35019)	35019-0070	1
FENDER-REAR,RR,O.BLUE (Ref # 35023A)	35023-0086-274	1
FENDER-REAR,RR,S.RED (Ref # 35023B)	35023-0086-6B	1
FENDER-REAR,RR,EBONY (Ref # 35023C)	35023-0086-6C	1
NUT,6MM (Ref # 92015)	92015-1602	2
COLLAR,L=5.1 (Ref # 92027)	92027-1260	2
COLLAR,6.8X10X7 (Ref # 92143)	92143-1407	4
COLLAR (Ref # 92152)	92152-0427	4
COLLAR (Ref # 92152A)	92152-0596	2
BOLT,6X20 (Ref # 92153)	92153-1523	4
SCREW,6X14 (Ref # 92172)	92172-0004	2
FENDER-REAR,FR (Ref # 35023)	35023-0085	1
FENDER-REAR,FR (Ref # 35023E)	35023-0120	1