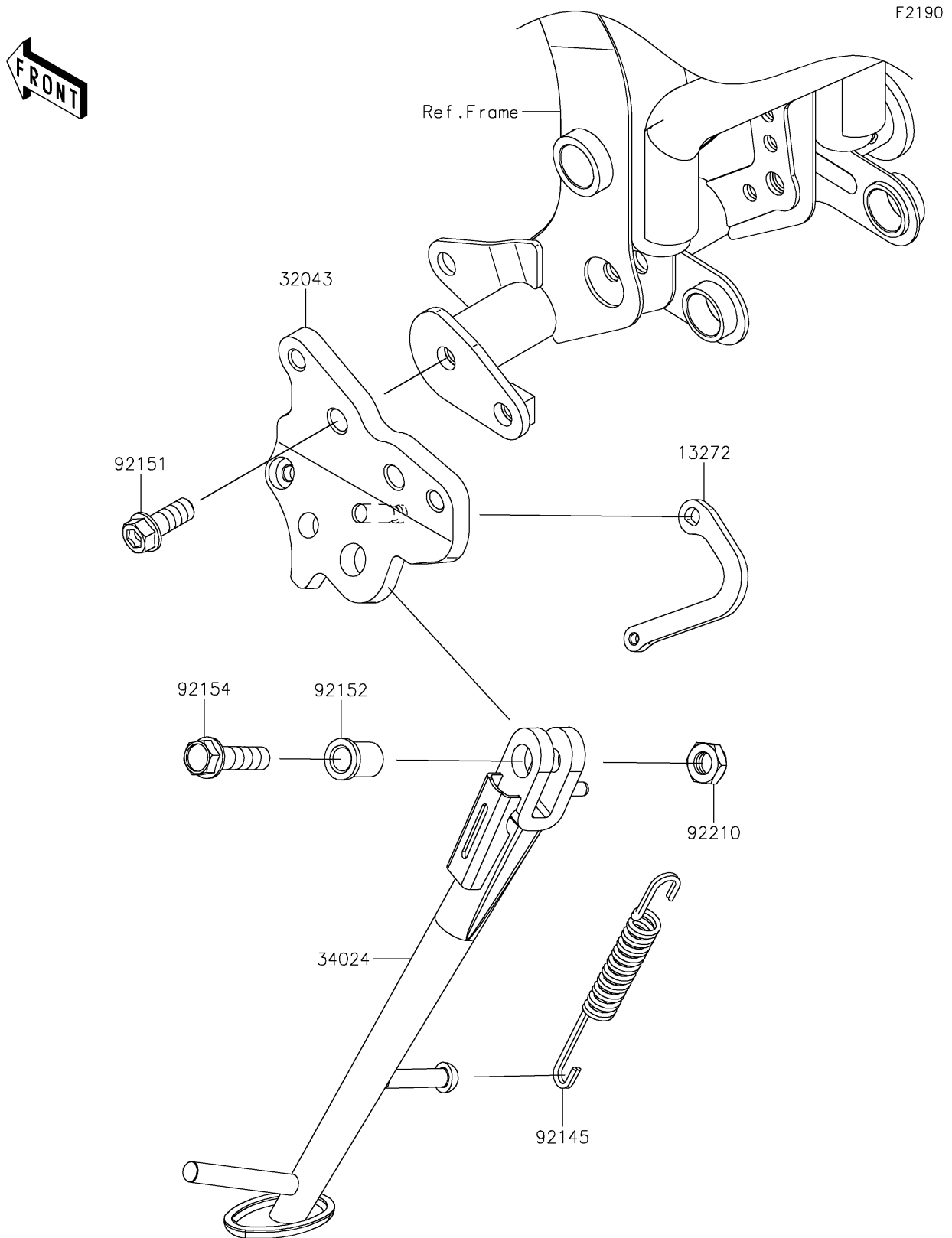


# 2022 Z650RS ABS

## PARTS DIAGRAM

Stand(s)



# 2022 Z650RS ABS

## PARTS LIST

### Stand(s)

| ITEM NAME                         | PART NUMBER | QUANTITY |
|-----------------------------------|-------------|----------|
| PLATE,SPRING (Ref # 13272)        | 13272-2166  | 1        |
| BRACKET-STAND (Ref # 32043)       | 32043-0620  | 1        |
| STAND-SIDE (Ref # 34024)          | 34024-0169  | 1        |
| SPRING,SIDE STAND (Ref # 92145)   | 92145-1735  | 1        |
| BOLT,FLANGED,10X25 (Ref # 92151)  | 92151-1802  | 2        |
| COLLAR,10.2X18X20.1 (Ref # 92152) | 92152-2299  | 1        |
| BOLT,FLANGED,10X37 (Ref # 92154)  | 92154-1352  | 1        |
| NUT,LOCK,10MM (Ref # 92210)       | 92210-0784  | 1        |