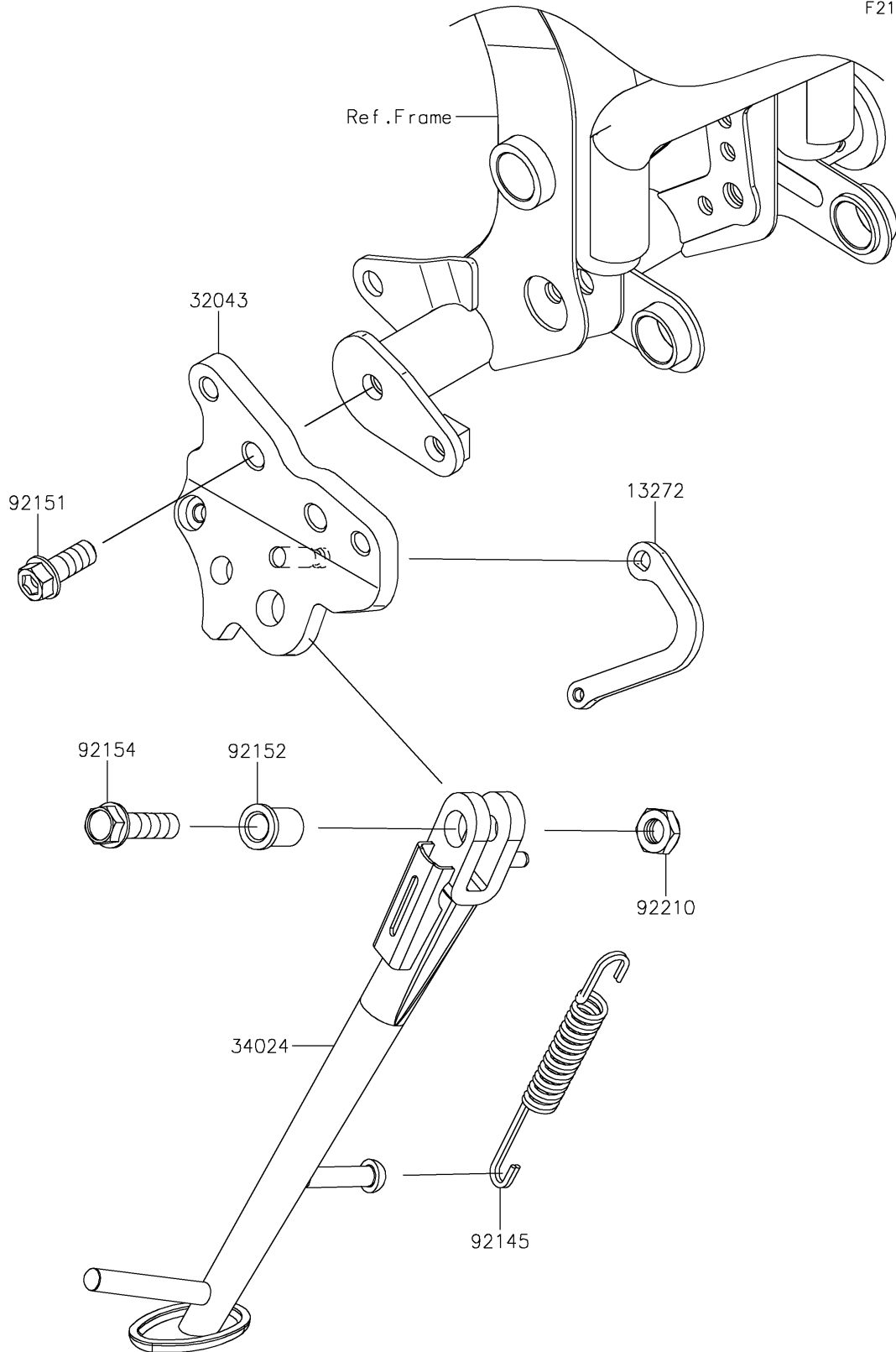


2022 Z650RS PARTS DIAGRAM

Stand(s)

F2190



2022 Z650RS PARTS LIST

Stand(s)

| ITEM NAME | PART NUMBER | QUANTITY |
|-----------------------------------|-------------|----------|
| PLATE,SPRING (Ref # 13272) | 13272-2166 | 1 |
| BRACKET-STAND (Ref # 32043) | 32043-0620 | 1 |
| STAND-SIDE (Ref # 34024) | 34024-0169 | 1 |
| SPRING,SIDE STAND (Ref # 92145) | 92145-1735 | 1 |
| BOLT,FLANGED,10X25 (Ref # 92151) | 92151-1802 | 2 |
| COLLAR,10.2X18X20.1 (Ref # 92152) | 92152-2299 | 1 |
| BOLT,FLANGED,10X37 (Ref # 92154) | 92154-1352 | 1 |
| NUT,LOCK,10MM (Ref # 92210) | 92210-0784 | 1 |