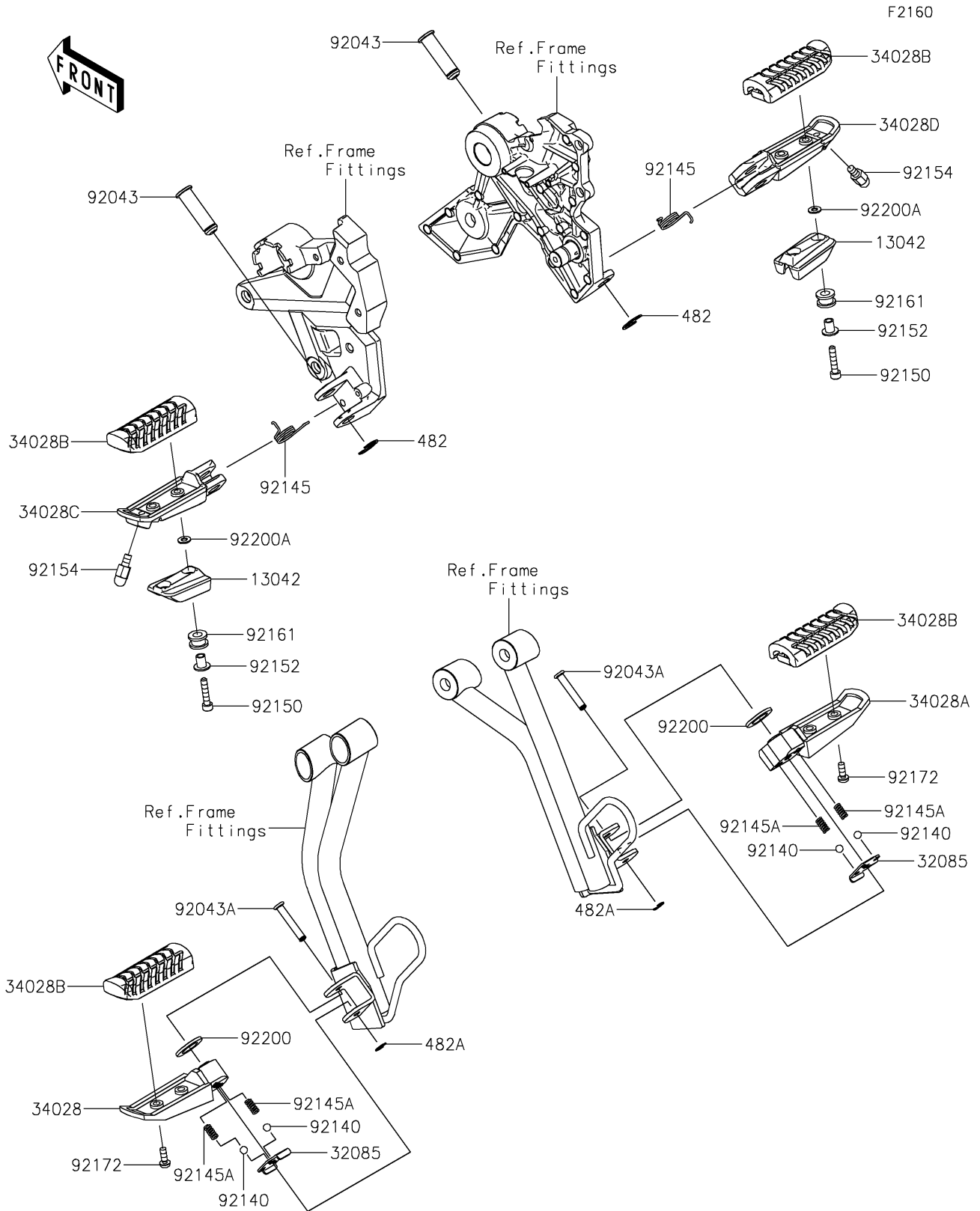


2022 Z650RS PARTS DIAGRAM

Footrests



2022 Z650RS PARTS LIST

Footrests

| ITEM NAME | PART NUMBER | QUANTITY |
|--------------------------------------|-------------|----------|
| WEIGHT,STEP (Ref # 13042) | 13042-0759 | 2 |
| STOPPER,REAR STEP (Ref # 32085) | 32085-0047 | 2 |
| STEP,RR,LH (Ref # 34028) | 34028-0314 | 1 |
| STEP,RR,RH (Ref # 34028A) | 34028-0315 | 1 |
| STEP,RUBBER (Ref # 34028B) | 34028-0349 | 4 |
| STEP,FR,LH (Ref # 34028C) | 34028-0350 | 1 |
| STEP,FR,RH (Ref # 34028D) | 34028-0351 | 1 |
| PIN,12X37.5 (Ref # 92043) | 92043-0026 | 2 |
| PIN,6X34 (Ref # 92043A) | 92043-1271 | 2 |
| BALL,6.35MM (Ref # 92140) | 92140-0008 | 4 |
| SPRING,STEP RETURN (Ref # 92145) | 92145-0723 | 2 |
| SPRING (Ref # 92145A) | 92145-1319 | 4 |
| BOLT,SOCKET,5X25 (Ref # 92150) | 92150-1684 | 4 |
| COLLAR (Ref # 92152) | 92152-2596 | 4 |
| BOLT,BANK SENSOR (Ref # 92154) | 92154-0838 | 2 |
| DAMPER,8X16X10 (Ref # 92161) | 92161-1935 | 4 |
| SCREW-PAN-WP-CROS,5X14 (Ref # 92172) | 92172-0473 | 4 |
| WASHER,16X26X2.3 (Ref # 92200) | 92200-0772 | 2 |
| WASHER,5.3X11X1 (Ref # 92200A) | 92200-0973 | 4 |
| CIRCLIP-TYPE-E,10MM (Ref # 482) | 482EA0100 | 2 |
| CIRCLIP-TYPE-E (Ref # 482A) | 482EA5000 | 2 |