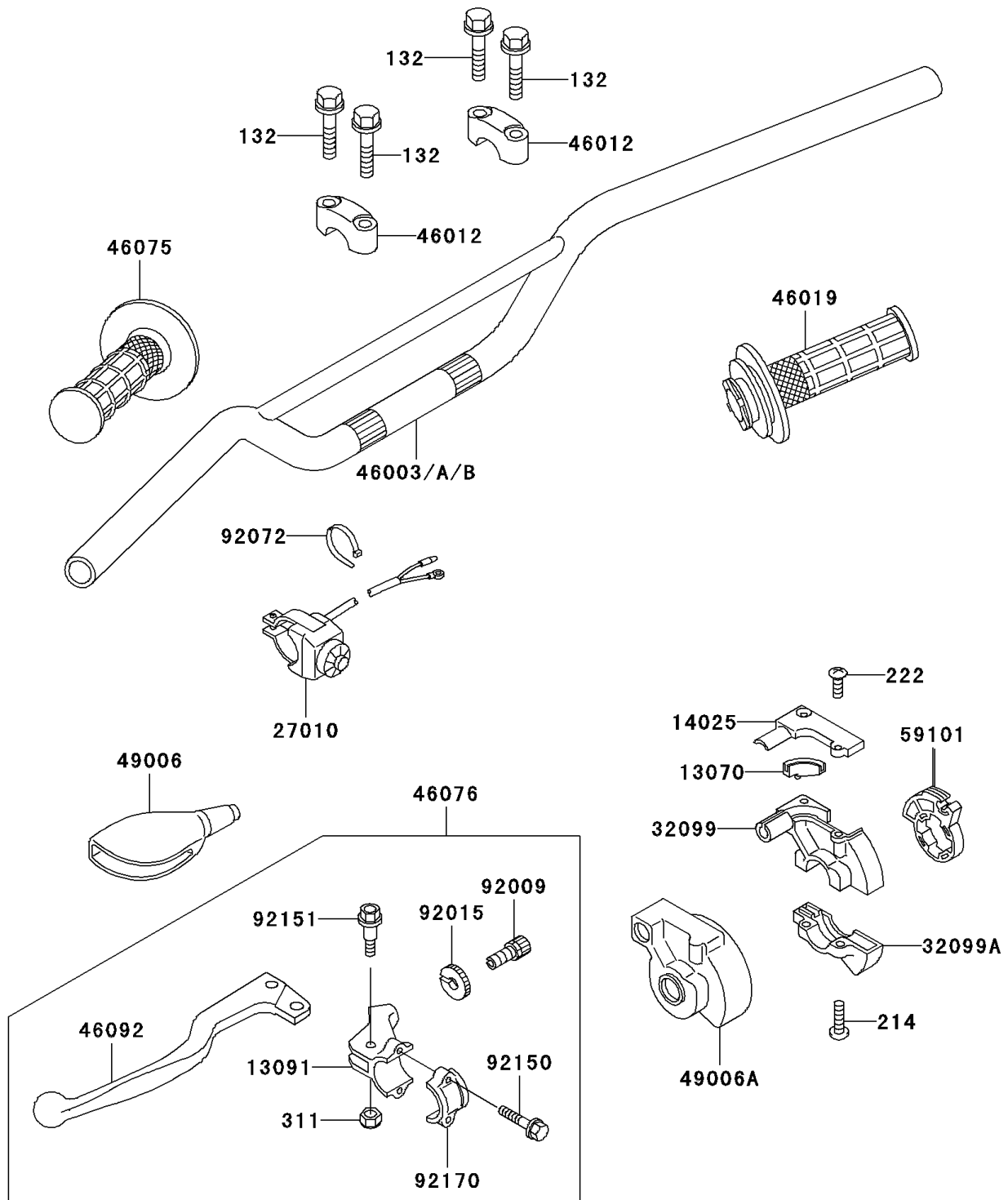


## 2003 KX65 PARTS DIAGRAM

Handlebar

F2310



## 2003 KX65 PARTS LIST

Handlebar

| ITEM NAME                               | PART NUMBER   | QUANTITY |
|---|---------------|----------|
| BOLT-FLANGED-SMALL (Ref # 132)          | 132G0830      | 1        |
| SCREW-PAN+- (Ref # 214)                 | 214C0518      | 1        |
| SCREW-CSK-RD-CROS (Ref # 222)           | 222E0412      | 1        |
| NUT-HEX (Ref # 311)                     | 311B0500      | 1        |
| GUIDE,THROTTLE (Ref # 13070)            | 13070-1074    | 1        |
| HOLDER,CLUTCH LEVER (Ref # 13091)       | 13091-1728    | 1        |
| COVER,THROTTLE CASE UPP (Ref # 14025)   | 14025-1646    | 1        |
| SWITCH,ENGINE STOP (Ref # 27010)        | 27010-1415    | 1        |
| CASE,THROTTLE UPP (Ref # 32099)         | 32099-1036    | 1        |
| CASE,THROTTLE LWR (Ref # 32099A)        | 32099-1044    | 1        |
| HANDLE,SILVER (Ref # 46003B)            | 46003-1577-CE | 1        |
| HOLDER-HANDLE,UPP (Ref # 46012)         | 46012-1191    | 1        |
| GRIP-ASSY,THROTTLE (Ref # 46019)        | 46019-1054    | 1        |
| GRIP,LH (Ref # 46075)                   | 46075-1024    | 1        |
| LEVER-ASSY-GRIP,CLUTCH (Ref # 46076)    | 46076-1202    | 1        |
| LEVER-GRIP,CLUTCH (Ref # 46092)         | 46092-1165    | 1        |
| BOOT,LEVER HOLDER (Ref # 49006)         | 49006-1017    | 1        |
| BOOT,THROTTLE CASE (Ref # 49006A)       | 49006-1097    | 1        |
| REEL,THROTTLE (Ref # 59101)             | 59101-1110    | 1        |
| SCREW,CABLE ADJUST,8MM (Ref # 92009)    | 92009-1435    | 1        |
| NUT,CABLE ADJUST LOCK,8MM (Ref # 92015) | 92015-1596    | 1        |
| BAND,L=123 (Ref # 92072)                | 92072-030     | 1        |
| BOLT (Ref # 92150)                      | 92150-1474    | 1        |
| BOLT,LEVER SET,5MM (Ref # 92151)        | 92151-1103    | 1        |
| CLAMP,LEVER HOLDER (Ref # 92170)        | 92170-1226    | 1        |