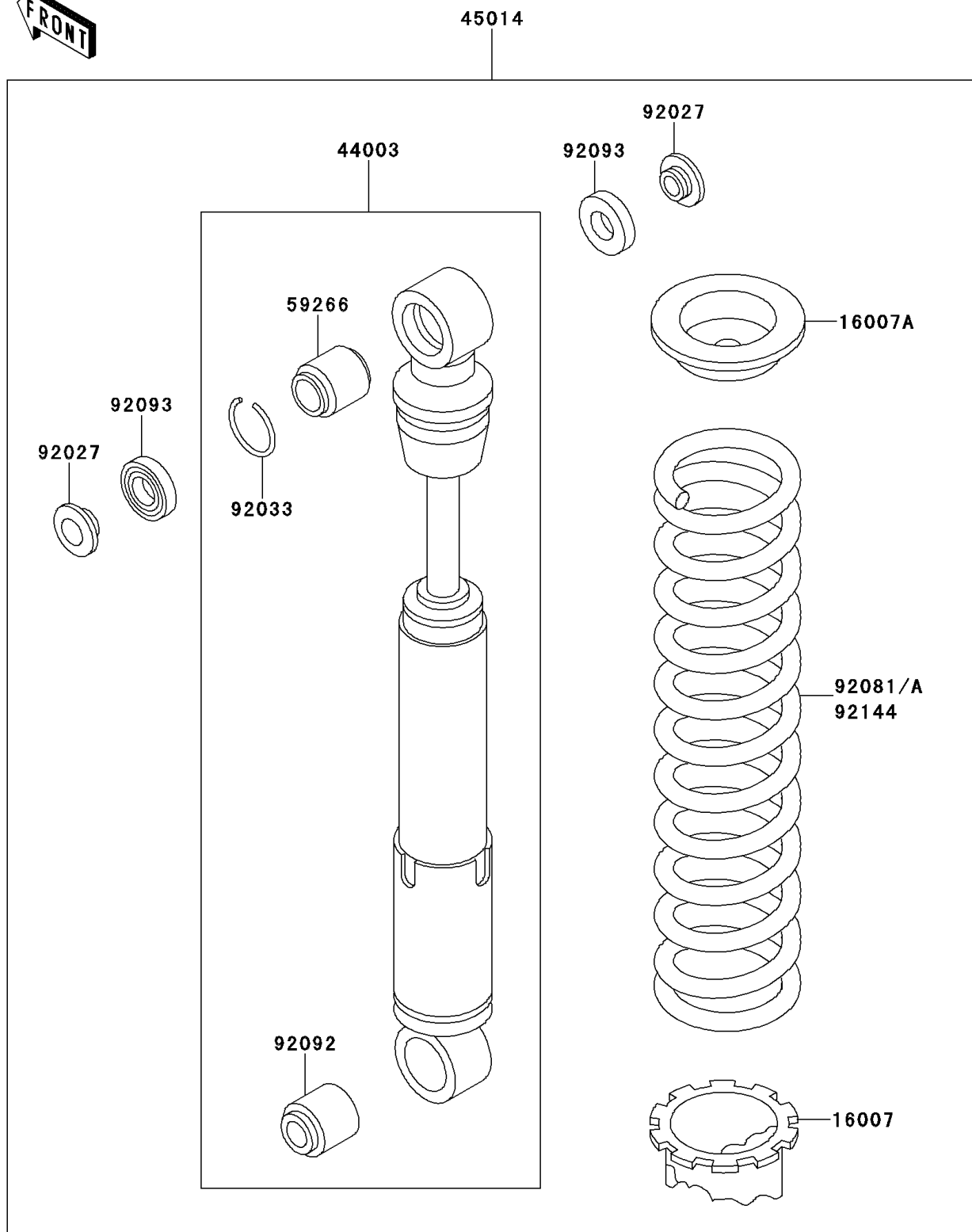


1992 KX60 PARTS DIAGRAM

Shock Absorber

F2280



1992 KX60 PARTS LIST

Shock Absorber

| ITEM NAME | PART NUMBER | QUANTITY |
|--|-------------|----------|
| SEAT-SPRING,REAR SHOCK,LWR (Ref # 16007) | 16007-1055 | 1 |
| SEAT-SPRING,REAR SHOCK,UPP (Ref # 16007A) | 16007-1121 | 1 |
| DAMPER-ASSY,SHOCKABSORBER (Ref # 44003) | 44003-1944 | 1 |
| SHOCKABSORBER (Ref # 45014) | 45014-1464 | 1 |
| JOINT-BALL (Ref # 59266) | 59266-1053 | 1 |
| COLLAR (Ref # 92027) | 92027-1862 | 1 |
| RING-SNAP (Ref # 92033) | 92033-1090 | 1 |
| SPRING,SHOCKABSORBER,K=3.0 (Ref # 92081) | 92081-1529 | 1 |
| SPRING,SHOCKABSORBER,K=3.7 (Ref # 92081A) | 92081-1530 | 1 |
| BUSHING-RUBBER,SHOCKABSORBER (Ref # 92092) | 92092-1016 | 1 |
| SEAL (Ref # 92093) | 92093-1183 | 1 |
| SPRING,SHOCKABSORBER,K=3.3 (Ref # 92144) | 92144-1469 | 1 |