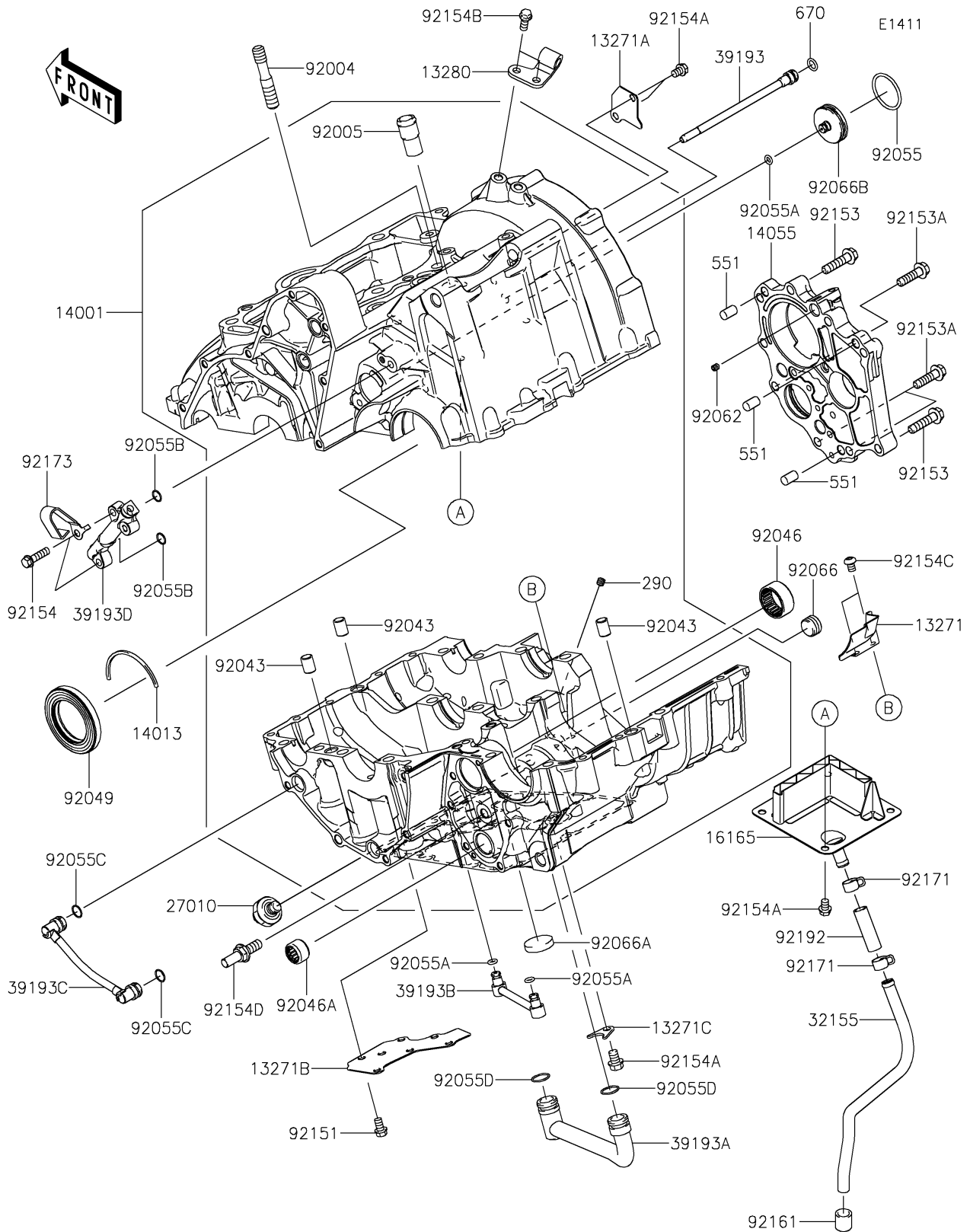


# 2022 Vulcan® S ABS CAFE PARTS DIAGRAM

Crankcase



# 2022 Vulcan® S ABS CAFE PARTS LIST

Crankcase

ITEM NAME	PART NUMBER	QUANTITY
-----------	-------------	----------