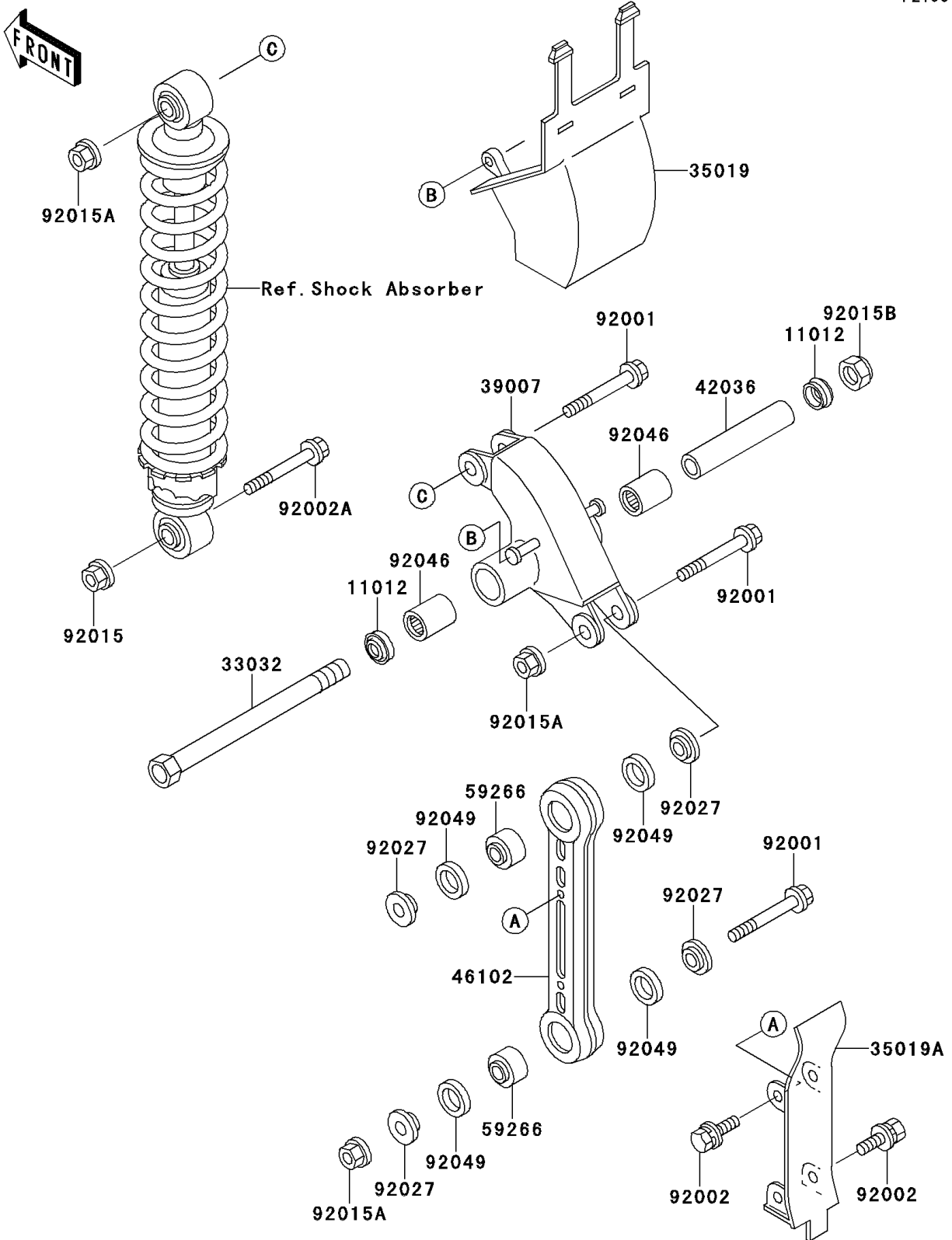


1992 KX60 PARTS DIAGRAM

Suspension

F2150



1992 KX60 PARTS LIST

Suspension

ITEM NAME	PART NUMBER	QUANTITY
CAP (Ref # 11012)	11012-1263	1
SHAFT-SUSPENSION ARM,L=168 (Ref # 33032)	33032-1032	1
FLAP,SUSPENSION ARM (Ref # 35019)	35019-1046	1
FLAP,SUSPENSION ROD (Ref # 35019A)	35019-1137	1
ARM-SUSP,UNI-TRAK (Ref # 39007)	39007-1062	1
SLEEVE,SUSPENSION ARM,L=86 (Ref # 42036)	42036-1068	1
ROD,SUSPENSION (Ref # 46102)	46102-1125	1
JOINT-BALL (Ref # 59266)	59266-1011	1
BOLT,FLANGED,10X42 (Ref # 92001)	92001-1711	1
BOLT,6X14 (Ref # 92002)	92002-1133	1
BOLT,FLANGED,10X41 (Ref # 92002A)	92002-1385	1
NUT,LOCK,FLANGED,10MM (Ref # 92015)	92015-1338	1
NUT,FLANGED,10MM (Ref # 92015A)	92015-1415	1
NUT,LOCK,12MM (Ref # 92015B)	92015-1774	1
COLLAR,SUSPENSION ROD (Ref # 92027)	92027-1496	1
BEARING-NEEDLE (Ref # 92046)	92046-1046	1
SEAL-OIL (Ref # 92049)	92049-1098	1