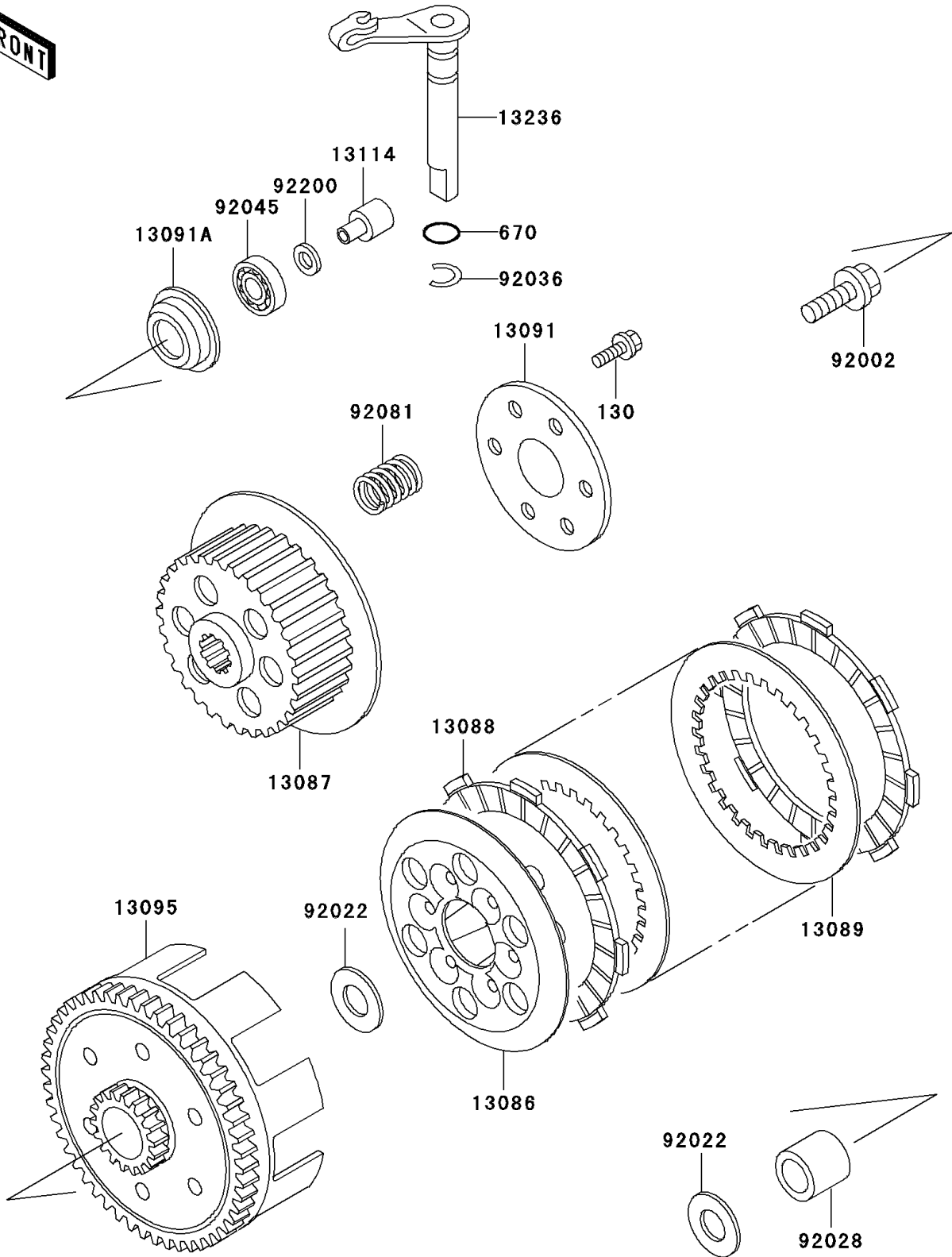


## 2000 KX60 PARTS DIAGRAM

Clutch

E1350



## 2000 KX60 PARTS LIST

### Clutch

ITEM NAME	PART NUMBER	QUANTITY
BOLT-FLANGED (Ref # 130)	130P0520	1
O RING,9MM (Ref # 670)	670B1509	1
WHEEL-CLUTCH (Ref # 13086)	13086-1002	1
HUB-CLUTCH (Ref # 13087)	13087-1051	1
PLATE-FRICTION (Ref # 13088)	13088-1010	1
PLATE-CLUTCH,STEEL (Ref # 13089)	13089-1009	1
HOLDER,CLUTCH SPRING (Ref # 13091)	13091-1115	1
HOLDER,CLUTCH PUSHER (Ref # 13091A)	13091-1133	1
HOUSING-COMP-CLUTCH (Ref # 13095)	13095-1042	1
PUSHER-CLUTCH (Ref # 13114)	13114-1055	1
LEVER-COMP,CLUTCH RELEASE (Ref # 13236)	13236-1161	1
BOLT,10X30 (Ref # 92002)	92002-1697	1
WASHER,17.3X28X1 (Ref # 92022)	92022-255	1
BUSHING,17X22X21.1 (Ref # 92028)	92028-1149	1
RING-SNAP,VALVE GUIDE (Ref # 92036)	92036-023	1
BEARING-BALL,627 (Ref # 92045)	92045-1236	1
SPRING,CLUTCH (Ref # 92081)	92081-1143	1
WASHER,7X12.5X0.8 (Ref # 92200)	92200-1197	1