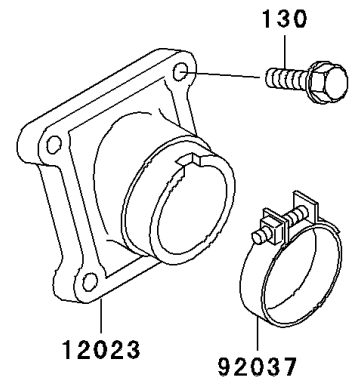
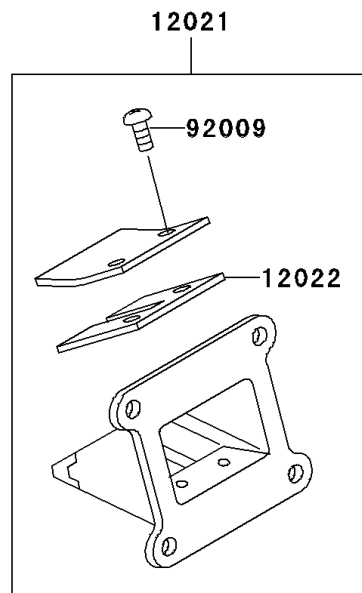
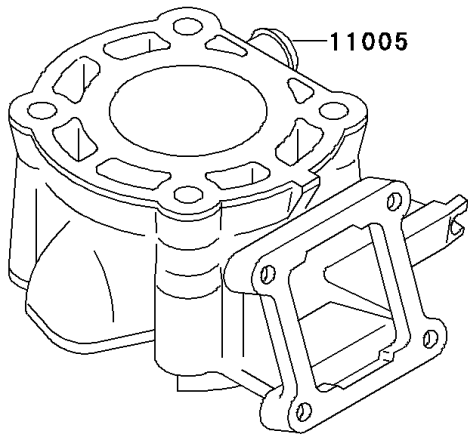
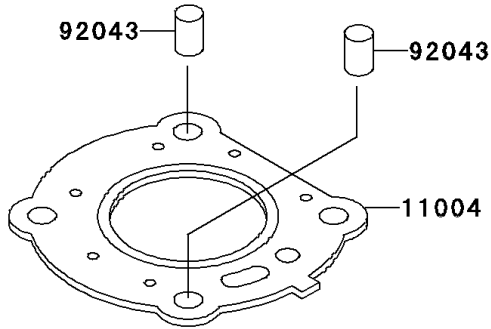
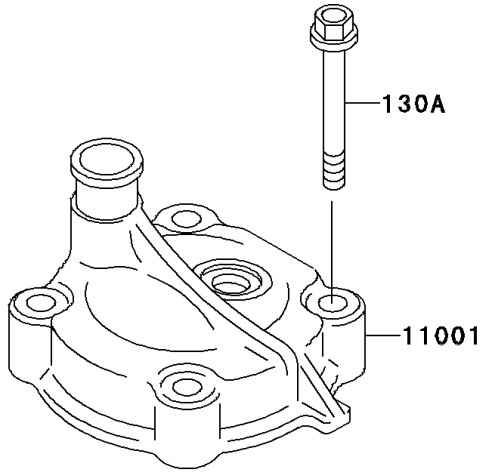


1999 KX60 PARTS DIAGRAM

Cylinder Head/Cylinder

E1110



1999 KX60 PARTS LIST

Cylinder Head/Cylinder

| ITEM NAME | PART NUMBER | QUANTITY |
|------------------------------------|-------------|----------|
| BOLT-FLANGED,6X20 (Ref # 130) | 130G0620 | 4 |
| BOLT-FLANGED (Ref # 130A) | 130P08105 | 4 |
| HEAD-CYLINDER (Ref # 11001) | 11001-1175 | 1 |
| GASKET-HEAD (Ref # 11004) | 11004-1218 | 1 |
| CYLINDER-ENGINE (Ref # 11005) | 11005-1378 | 1 |
| GASKET,CYLINDER BASE (Ref # 11060) | 11060-1873 | 1 |
| VALVE-ASSY-REED (Ref # 12021) | 12021-1015 | 1 |
| VALVE-REED,T=0.42 (Ref # 12022) | 12022-1013 | 2 |
| HOLDER-VALVE,REED (Ref # 12023) | 12023-1019 | 1 |
| SCREW,REED VALVE (Ref # 92009) | 92009-1014 | 4 |
| CLAMP (Ref # 92037) | 92037-1305 | 1 |
| PIN,DOWEL,10X14 (Ref # 92043) | 92043-1037 | 2 |