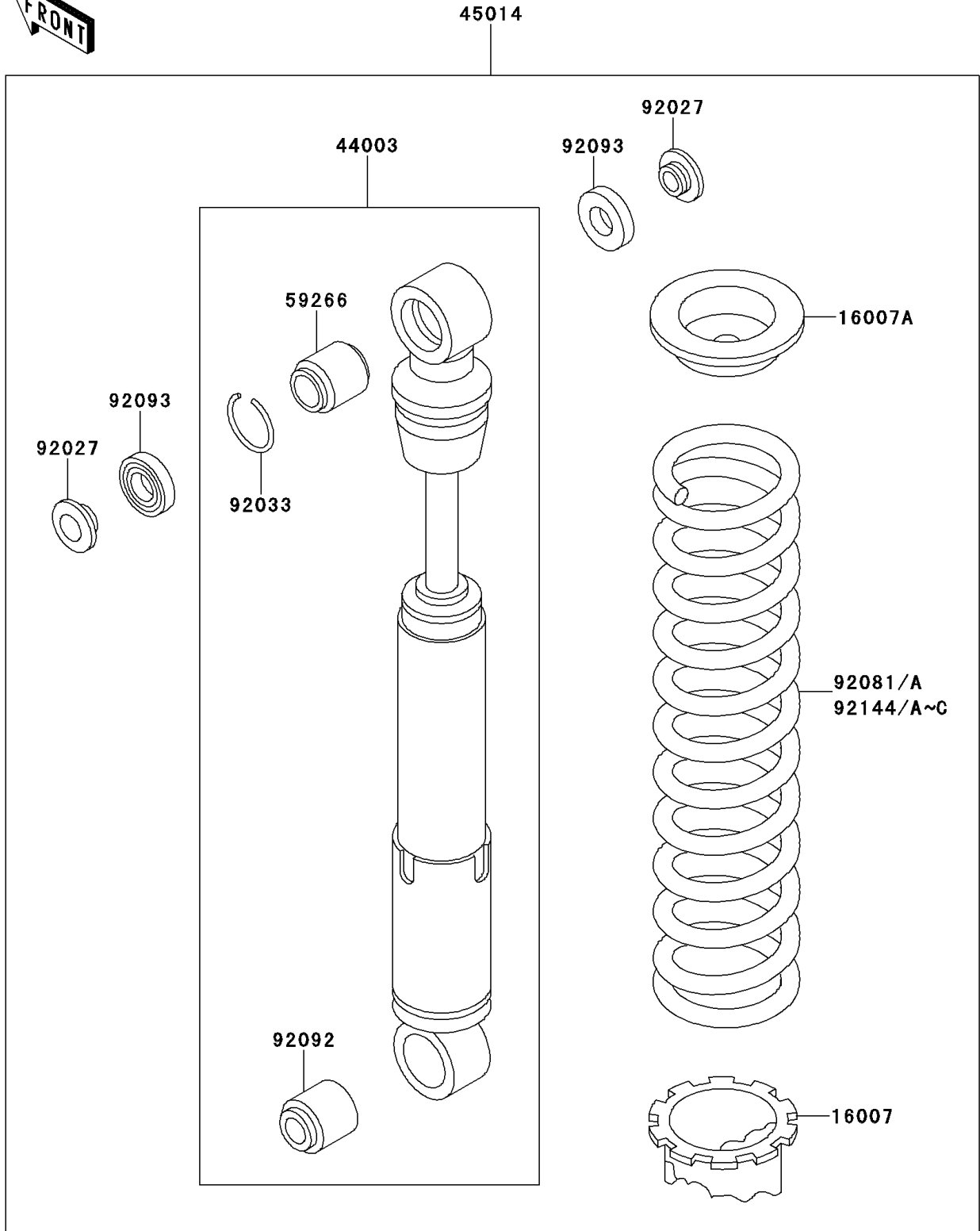


# 1994 KX60 PARTS DIAGRAM

Shock Absorber(s)

F2280



## 1994 KX60 PARTS LIST

### Shock Absorber(s)

| ITEM NAME                                     | PART NUMBER   | QUANTITY |
|---|---------------|----------|
| SEAT-SPRING,REAR SHOCK,LWR (Ref # 16007)      | 16007-1055    | 1        |
| SEAT-SPRING,REAR SHOCK,UPP (Ref # 16007A)     | 16007-1121    | 1        |
| DAMPER-ASSY,SHOCKABSORBER (Ref # 44003)       | 44003-1944    | 1        |
| SHOCKABSORBER,VIOLET (Ref # 45014)            | 45014-1464-45 | 1        |
| JOINT-BALL (Ref # 59266)                      | 59266-1053    | 1        |
| COLLAR (Ref # 92027)                          | 92027-1862    | 2        |
| RING-SNAP (Ref # 92033)                       | 92033-1090    | 1        |
| SPRING,SHOCKABSORBER,K=3.0,VIO (Ref # 92081)  | 92081-1529-45 | 1        |
| SPRING,SHOCKABSORBER,K=3.7,VIO (Ref # 92081A) | 92081-1530-45 | 1        |
| BUSHING-RUBBER,SHOCKABSORBER (Ref # 92092)    | 92092-1016    | 1        |
| SEAL (Ref # 92093)                            | 92093-1183    | 2        |
| SPRING,SHOCKABSORBER,K=3.3,VIO (Ref # 92144)  | 92144-1496-45 | 1        |