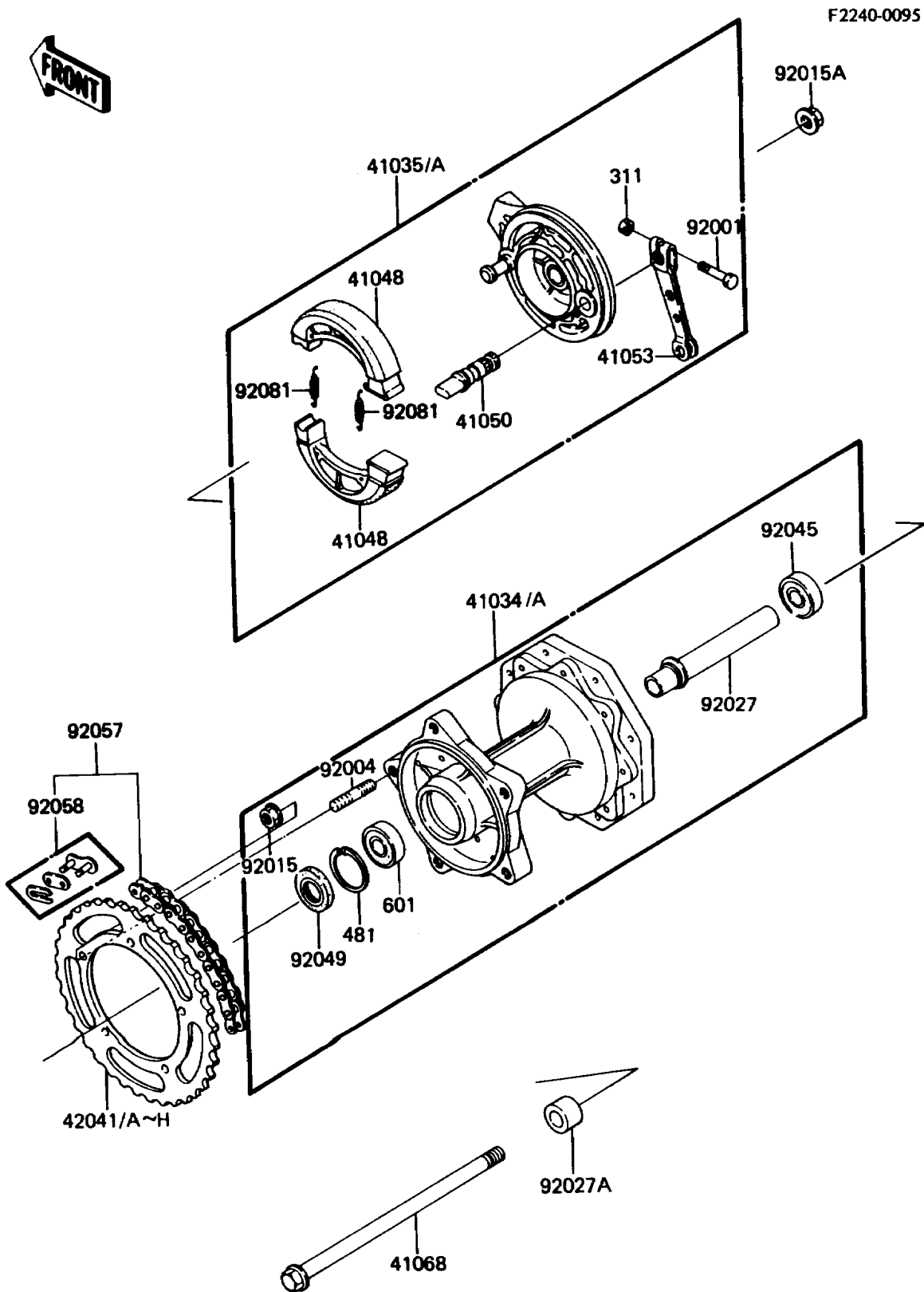


1985 KX60 PARTS DIAGRAM

Rear Hub



1985 KX60 PARTS LIST

Rear Hub

| ITEM NAME | PART NUMBER | QUANTITY |
|---|-------------|----------|
| DRUM-ASSY,REAR BRAKE (Ref # 41034) | 41034-1068 | 1 |
| PANEL-ASSY-BRAKE,RR (Ref # 41035) | 41035-1099 | 1 |
| SHOE-BRAKE (Ref # 41048) | 41048-1022 | 2 |
| CAM-BRAKE (Ref # 41050) | 41050-1031 | 1 |
| LEVER-BRAKE CAM,RR (Ref # 41053) | 41053-1058 | 1 |
| AXLE,L=206 (Ref # 41068) | 41068-1167 | 1 |
| SPROCKET-HUB,44T (Ref # 42041) | 42041-1114 | 1 |
| SPROCKET-HUB,43T (Ref # 42041A) | 42041-1116 | 1 |
| SPROCKET-HUB,45T (Ref # 42041B) | 42041-1117 | 1 |
| SPROCKET-HUB,49T (Ref # 42041C) | 42041-1121 | 1 |
| SPROCKET-HUB,48T (Ref # 42041D) | 42041-1122 | 1 |
| SPROCKET-HUB,50T (Ref # 42041E) | 42041-1123 | 1 |
| SPROCKET-HUB,47T (Ref # 42041F) | 42041-1129 | 1 |
| SPROCKET-HUB,46T (Ref # 42041G) | 42041-1178 | 1 |
| SPROCKET-HUB,51T (Ref # 42041H) | 42041-1181 | 1 |
| BOLT,5X25 (Ref # 92001) | 92001-1695 | 1 |
| STUD,8X16 (Ref # 92004) | 92004-1053 | 5 |
| NUT,8MM (Ref # 92015) | 92015-1143 | 5 |
| NUT,FLANGED,12MM (Ref # 92015A) | 92015-1156 | 1 |
| COLLAR,REAR DRUM,L=115 (Ref # 92027) | 92027-1471 | 1 |
| COLLAR,REAR AXLE,L=14.5 (Ref # 92027A) | 92027-1473 | 1 |
| BEARING-BALL,TMB201LLUC3/2A (Ref # 92045) | 92045-1062 | 1 |
| SEAL-OIL,DD20377 (Ref # 92049) | 92049-1096 | 1 |
| CHAIN,DID420M,104L (Ref # 92057) | 92057-1155 | 1 |
| JOINT-CHAIN (Ref # 92058) | 92058-1065 | 1 |
| SPRING,BRAKE SHOE (Ref # 92081) | 92081-1766 | 2 |
| NUT-HEX (Ref # 311) | 311G0500 | 1 |
| CIRCLIP-TYPE-C,37MM (Ref # 481) | 481J3700 | 1 |
| BEARING-BALL,#6201UUC3 (Ref # 601) | 601B6301UU | 1 |