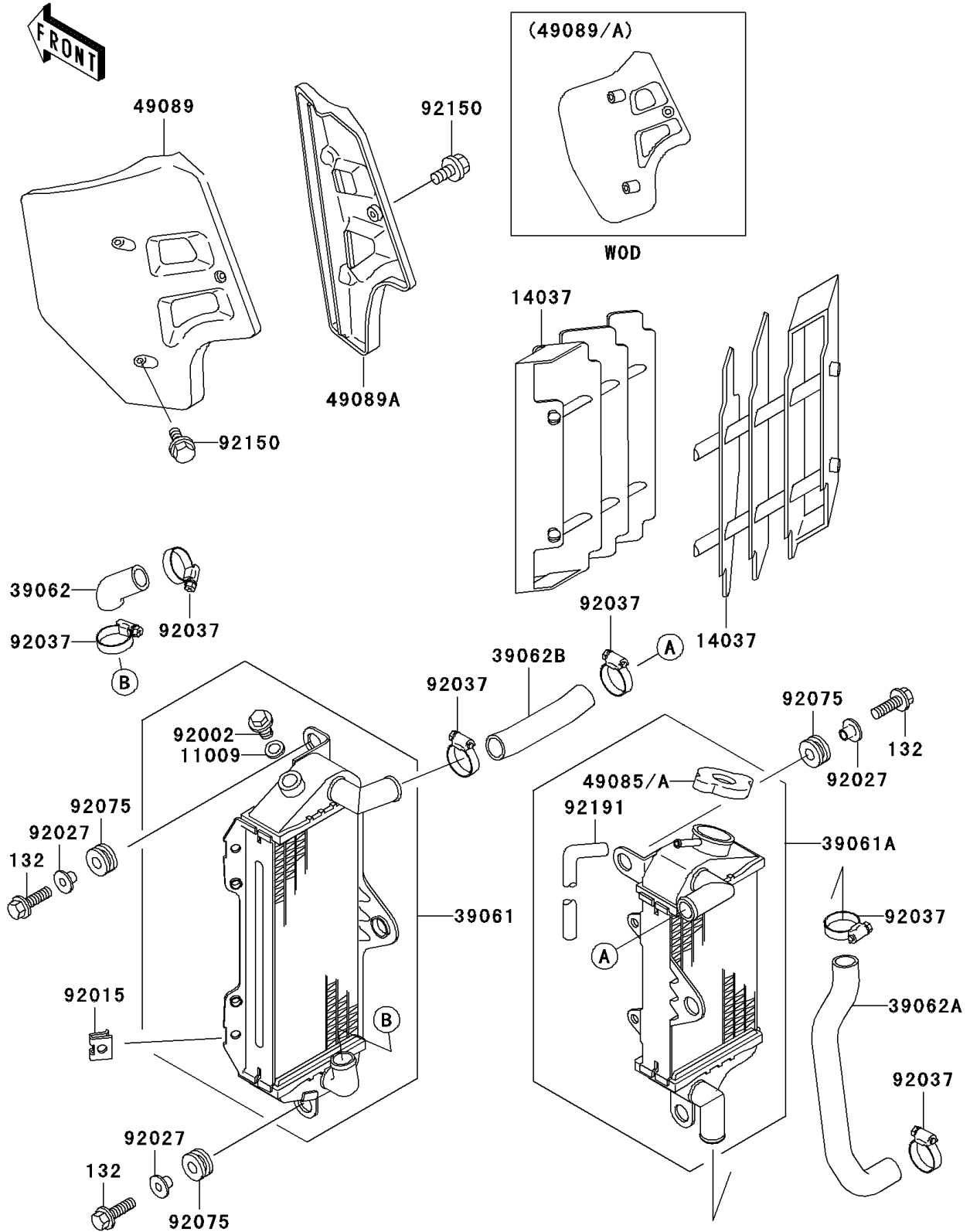


# 1998 KX500 PARTS DIAGRAM

Radiator

E3032



# 1998 KX500 PARTS LIST

## Radiator

ITEM NAME	PART NUMBER	QUANTITY
BOLT-FLANGED-SMALL (Ref # 132)	132G0620	6
GASKET,DRAIN BOLT (Ref # 11009)	11009-1152	1
SCREEN,WHITE (Ref # 14037)	14037-1099-RZ	2
RADIATOR-ASSY,LH (Ref # 39061)	39061-1235	1
RADIATOR-ASSY,RH (Ref # 39061A)	39061-1236	1
HOSE-COOLING,RADIATOR,LH (Ref # 39062)	39062-1138	1
HOSE-COOLING,RADIATOR,RH-PUMP (Ref # 39062A)	39062-1209	1
HOSE-COOLING,RADIATOR LH-RH (Ref # 39062B)	39062-1274	1
CAP-ASSY-PRESSURE,P1.1 (Ref # 49085)	49085-1070	1
CAP-ASSY-PRESSURE,P1.6 (Ref # 49085A)	49085-1073	1
SHROUD-ENGINE,LH,L.GREEN (Ref # 49089)	49089-1087-6W	1
SHROUD-ENGINE,RH,L.GREEN (Ref # 49089A)	49089-1088-6W	1
BOLT,RADIATOR DRAIN (Ref # 92002)	92002-1682	1
NUT (Ref # 92015)	92015-1487	4
COLLAR,L=11.1 (Ref # 92027)	92027-194	6
CLAMP,COOLING HOSE (Ref # 92037)	92037-1589	6
DAMPER (Ref # 92075)	92075-209	6
BOLT,6X14 (Ref # 92150)	92150-1340	6
TUBE,6X9X700 (Ref # 92191)	92191-1211	1