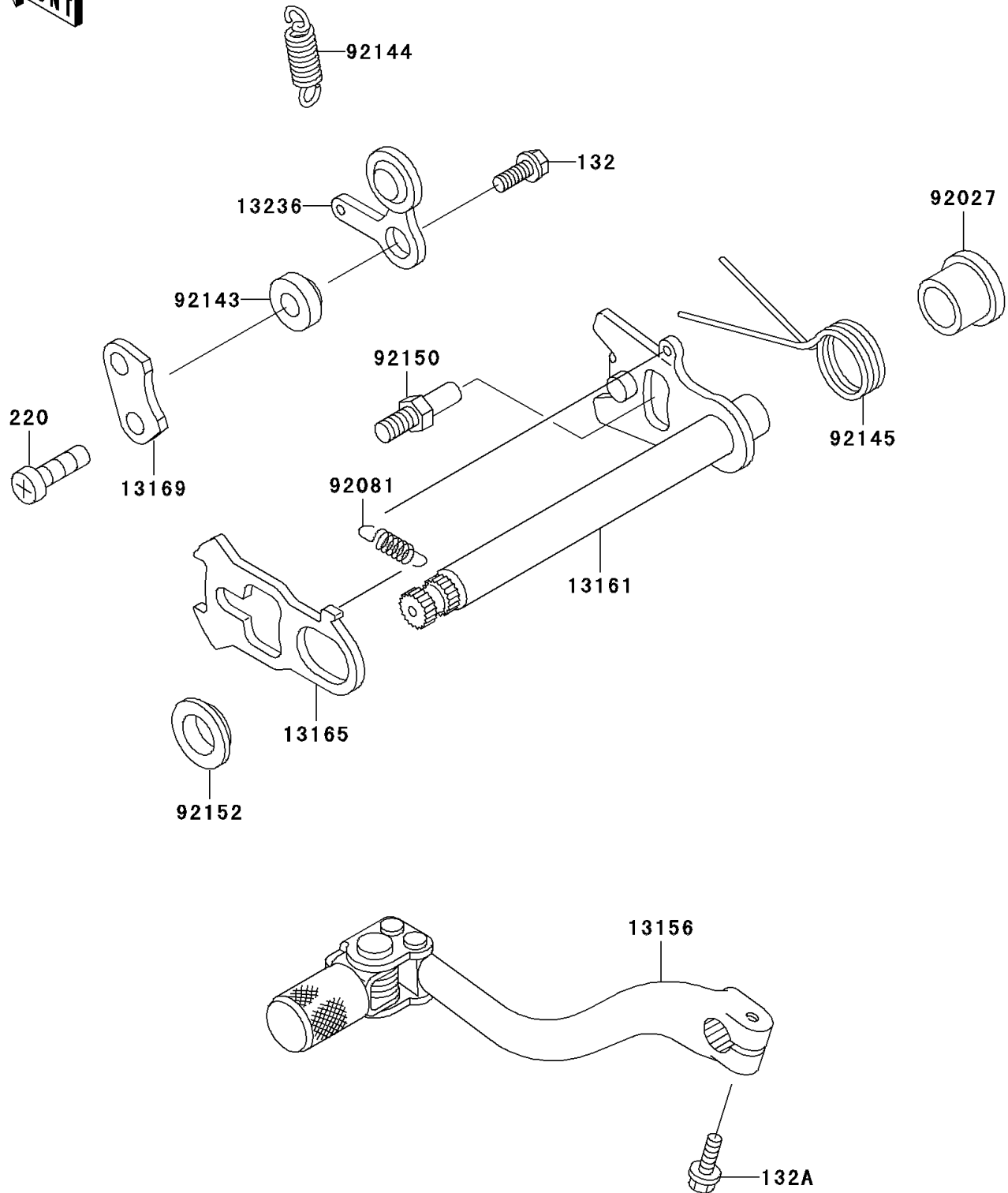


1999 KX500 PARTS DIAGRAM

Gear Change Mechanism

E1370



1999 KX500 PARTS LIST

Gear Change Mechanism

| ITEM NAME | PART NUMBER | QUANTITY |
|---------------------------------------|-------------|----------|
| BOLT-FLANGED-SMALL (Ref # 132) | 132G0616 | 1 |
| BOLT-FLANGED-SMALL (Ref # 132A) | 132G0625 | 1 |
| SCREW-PAN-CROS,6X14 (Ref # 220) | 220B0614 | 1 |
| LEVER-CHANGE,PEDAL (Ref # 13156) | 13156-1347 | 1 |
| LEVER-COMP-CHANGE SHAFT (Ref # 13161) | 13161-1203 | 1 |
| PAWL,CHANGE LEVER (Ref # 13165) | 13165-1122 | 1 |
| PLATE,CHANGE DRUM (Ref # 13169) | 13169-012 | 1 |
| LEVER-COMP,POSITION (Ref # 13236) | 13236-1188 | 1 |
| COLLAR (Ref # 92027) | 92027-1946 | 1 |
| SPRING,CHANGE LEVER (Ref # 92081) | 92081-076 | 1 |
| COLLAR (Ref # 92143) | 92143-1055 | 1 |
| SPRING (Ref # 92144) | 92144-1382 | 1 |
| SPRING (Ref # 92145) | 92145-1368 | 1 |
| BOLT,RETURN SPRING (Ref # 92150) | 92150-1467 | 1 |
| COLLAR (Ref # 92152) | 92152-1075 | 1 |