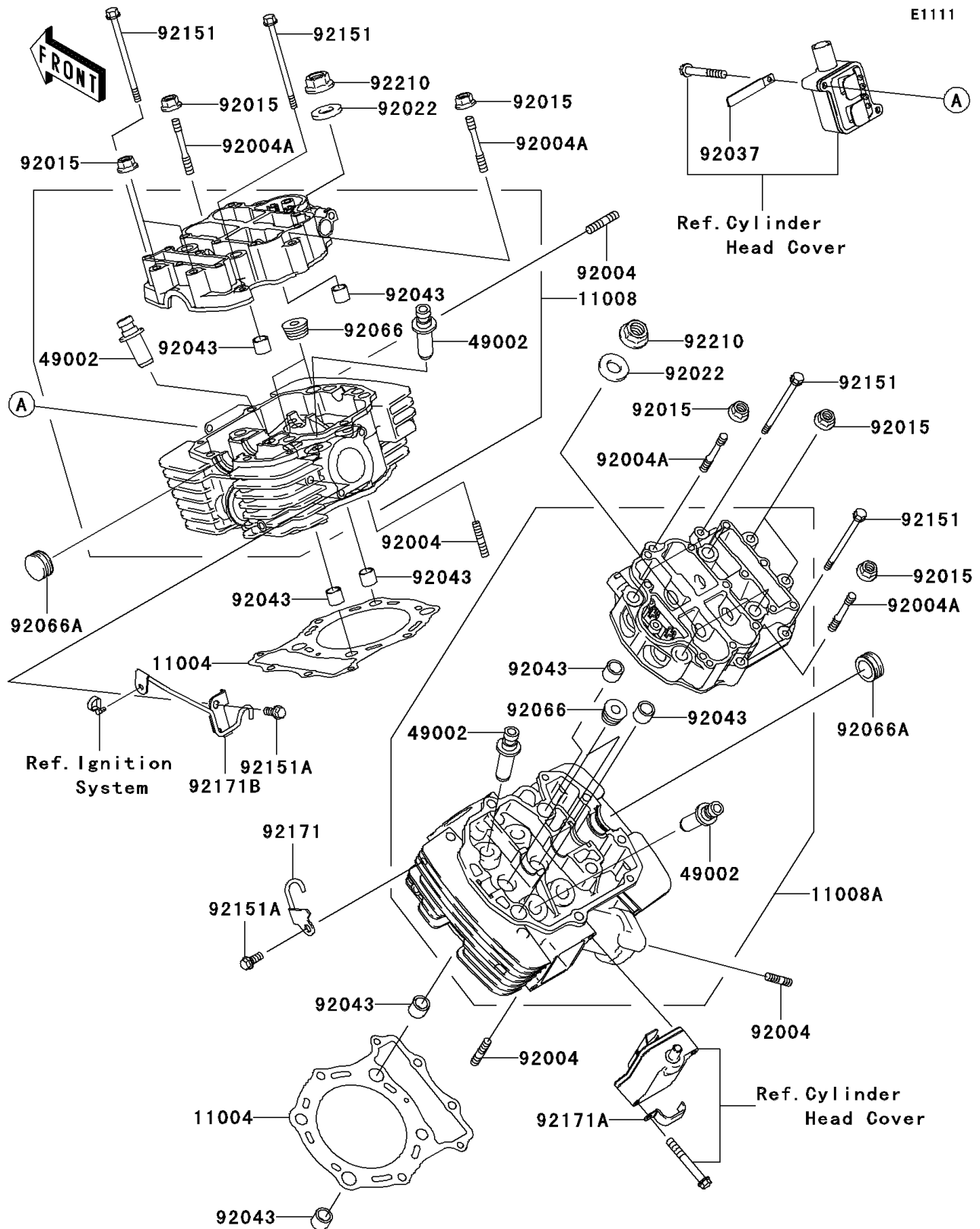


2008 Vulcan® 1600 Nomad™ PARTS DIAGRAM

Cylinder Head



2008 Vulcan® 1600 Nomad™ PARTS LIST

Cylinder Head

ITEM NAME	PART NUMBER	QUANTITY
GASKET-HEAD (Ref # 11004)	11004-1334	1
HEAD-COMP-CYLINDER,FR (Ref # 11008)	11008-0043	1
HEAD-COMP-CYLINDER,RR (Ref # 11008A)	11008-0044	1
GUIDE-VALVE (Ref # 49002)	49002-1088	1
STUD,8X25 (Ref # 92004)	92004-1214	1
STUD,8X46.5 (Ref # 92004A)	92004-1224	1
NUT,FLANGED,8MM (Ref # 92015)	92015-1406	1
WASHER,12.3X25X3.2 (Ref # 92022)	92022-1862	1
CLAMP,L=45 (Ref # 92037)	92037-1539	1
PIN,13X16X14 (Ref # 92043)	92043-1608	1
PLUG,PT1/2X12.5 (Ref # 92066)	92066-0002	1
PLUG (Ref # 92066A)	92066-0031	1
BOLT,6X115 (Ref # 92151)	92151-1058	1
BOLT,6X14 (Ref # 92151A)	92151-1423	1
CLAMP,HEAD,RR (Ref # 92171)	92171-0005	1
CLAMP (Ref # 92171A)	92171-0011	1
CLAMP,HEAD,FR (Ref # 92171B)	92171-0127	1
NUT,12MM (Ref # 92210)	92210-0115	1