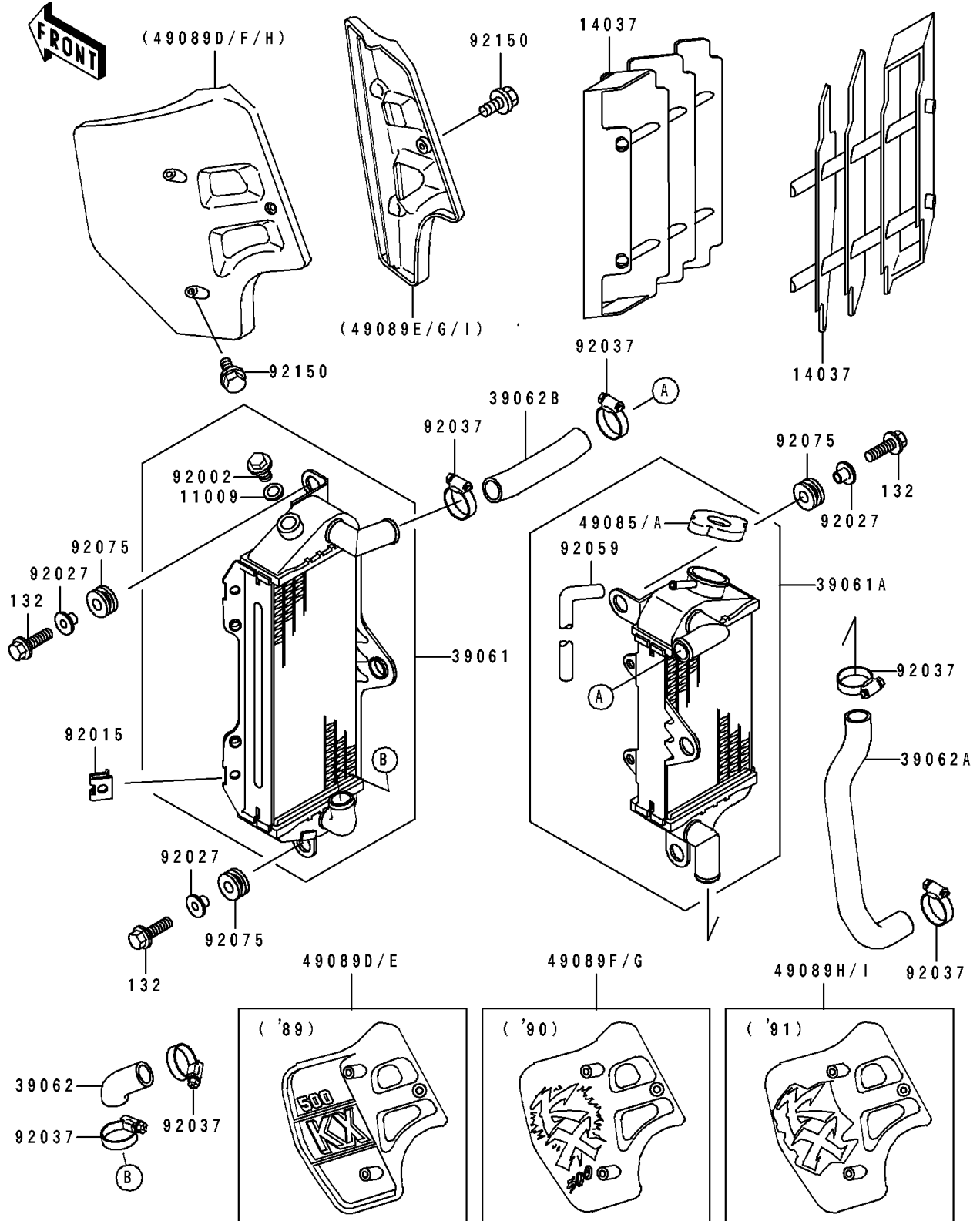


1989 KX500 PARTS DIAGRAM

Radiator

E3032



1989 KX500 PARTS LIST

Radiator

| ITEM NAME | PART NUMBER | QUANTITY |
|--|---------------|----------|
| GASKET,DRAIN BOLT (Ref # 11009) | 11009-1152 | 1 |
| SCREEN,LH,L.GREEN (Ref # 14037) | 14037-1099-6W | 2 |
| RADIATOR-ASSY (Ref # 39061) | 39061-1112 | 1 |
| RADIATOR-ASSY (Ref # 39061A) | 39061-1113 | 1 |
| HOSE-COOLING,RADIATOR,LH (Ref # 39062) | 39062-1138 | 1 |
| HOSE-COOLING,RADIATOR,RH-PUMP (Ref # 39062A) | 39062-1209 | 1 |
| HOSE-COOLING,RADIATOR LH-RH (Ref # 39062B) | 39062-1274 | 1 |
| CAP-ASSY-PRESSURE (Ref # 49085) | 49085-1003 | 1 |
| CAP-ASSY-PRESSURE,P=1.6 (Ref # 49085A) | 49085-1059 | 1 |
| SHROUD-ENGINE,LH,L.GREEN (Ref # 49089D) | 49089-5069-6W | 1 |
| SHROUD-ENGINE,RH,L.GREEN (Ref # 49089E) | 49089-5070-6W | 1 |
| BOLT,RADIATOR DRAIN (Ref # 92002) | 92002-1682 | 1 |
| NUT (Ref # 92015) | 92015-1487 | 4 |
| COLLAR,L=11.1 (Ref # 92027) | 92027-194 | 6 |
| CLAMP,COOLING HOSE (Ref # 92037) | 92037-1589 | 6 |
| TUBE,5X9X800 (Ref # 92059) | 92059-1383 | 1 |
| DAMPER (Ref # 92075) | 92075-209 | 6 |
| BOLT,6X12 (Ref # 92150) | 92150-1435 | 6 |
| BOLT-FLANGED-SMALL (Ref # 132) | 132G0620 | 6 |