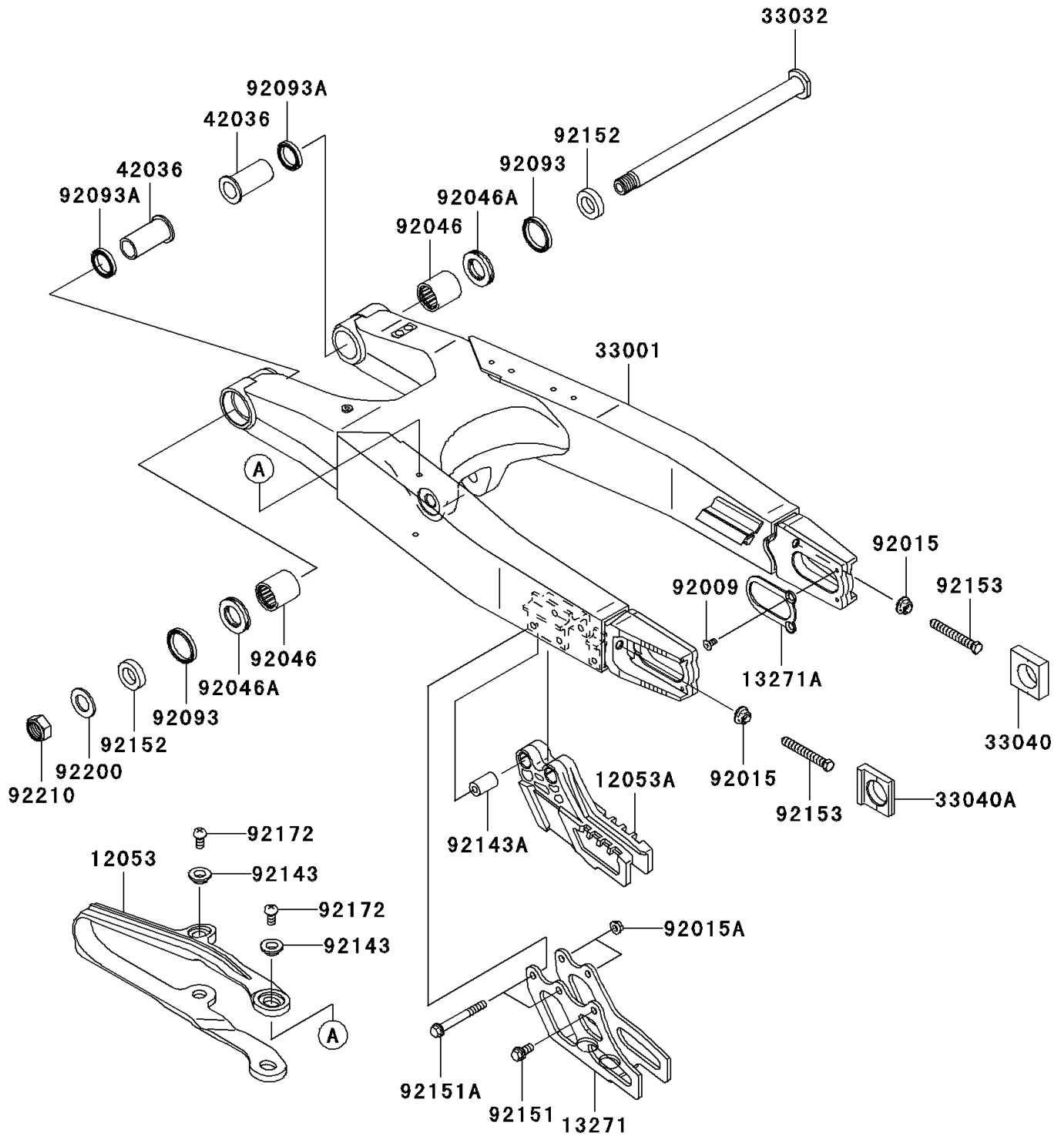


2007 KX250F PARTS DIAGRAM

Swingarm

F2141



2007 KX250F PARTS LIST

Swingarm

| ITEM NAME | PART NUMBER | QUANTITY |
|--|-------------|----------|
| GUIDE-CHAIN,DRIVE,FR (Ref # 12053) | 12053-0053 | 1 |
| GUIDE-CHAIN (Ref # 12053A) | 12053-0061 | 1 |
| PLATE,CHAIN GUIDE (Ref # 13271) | 13271-0593 | 1 |
| PLATE,AXLE (Ref # 13271A) | 13271-1833 | 1 |
| ARM-COMP-SWING (Ref # 33001) | 33001-0107 | 1 |
| SHAFT-SWING ARM (Ref # 33032) | 33032-0012 | 1 |
| ADJUSTER-CHAIN,RH (Ref # 33040) | 33040-0020 | 1 |
| ADJUSTER-CHAIN,LH (Ref # 33040A) | 33040-1189 | 1 |
| SLEEVE,SWING ARM,L=47.5 (Ref # 42036) | 42036-0019 | 1 |
| SCREW,5X10 (Ref # 92009) | 92009-1828 | 1 |
| NUT,FLANGED,8MM (Ref # 92015) | 92015-1014 | 1 |
| NUT,FLANGED,6MM (Ref # 92015A) | 92015-1078 | 1 |
| BEARING-NEEDLE,TA2230Z (Ref # 92046) | 92046-1174 | 1 |
| BEARING-NEEDLE,NTBR22356E01 (Ref # 92046A) | 92046-1240 | 1 |
| SEAL,SD029X35X4.5 (Ref # 92093) | 92093-1434 | 1 |
| SEAL,SD022X29X5 (Ref # 92093A) | 92093-1435 | 1 |
| COLLAR (Ref # 92143) | 92143-1676 | 1 |
| COLLAR,6.5X14X24 (Ref # 92143A) | 92143-1867 | 1 |
| BOLT,6X12 (Ref # 92151) | 92151-1133 | 1 |
| BOLT,6X50 (Ref # 92151A) | 92151-1234 | 1 |
| COLLAR,17.1X29X6 (Ref # 92152) | 92152-0292 | 1 |
| BOLT,8X56 (Ref # 92153) | 92153-0620 | 1 |
| SCREW,5X8 (Ref # 92172) | 92172-0119 | 1 |
| WASHER,17.2X30X2.3 (Ref # 92200) | 92200-0285 | 1 |
| NUT,LOCK,16MM (Ref # 92210) | 92210-0285 | 1 |