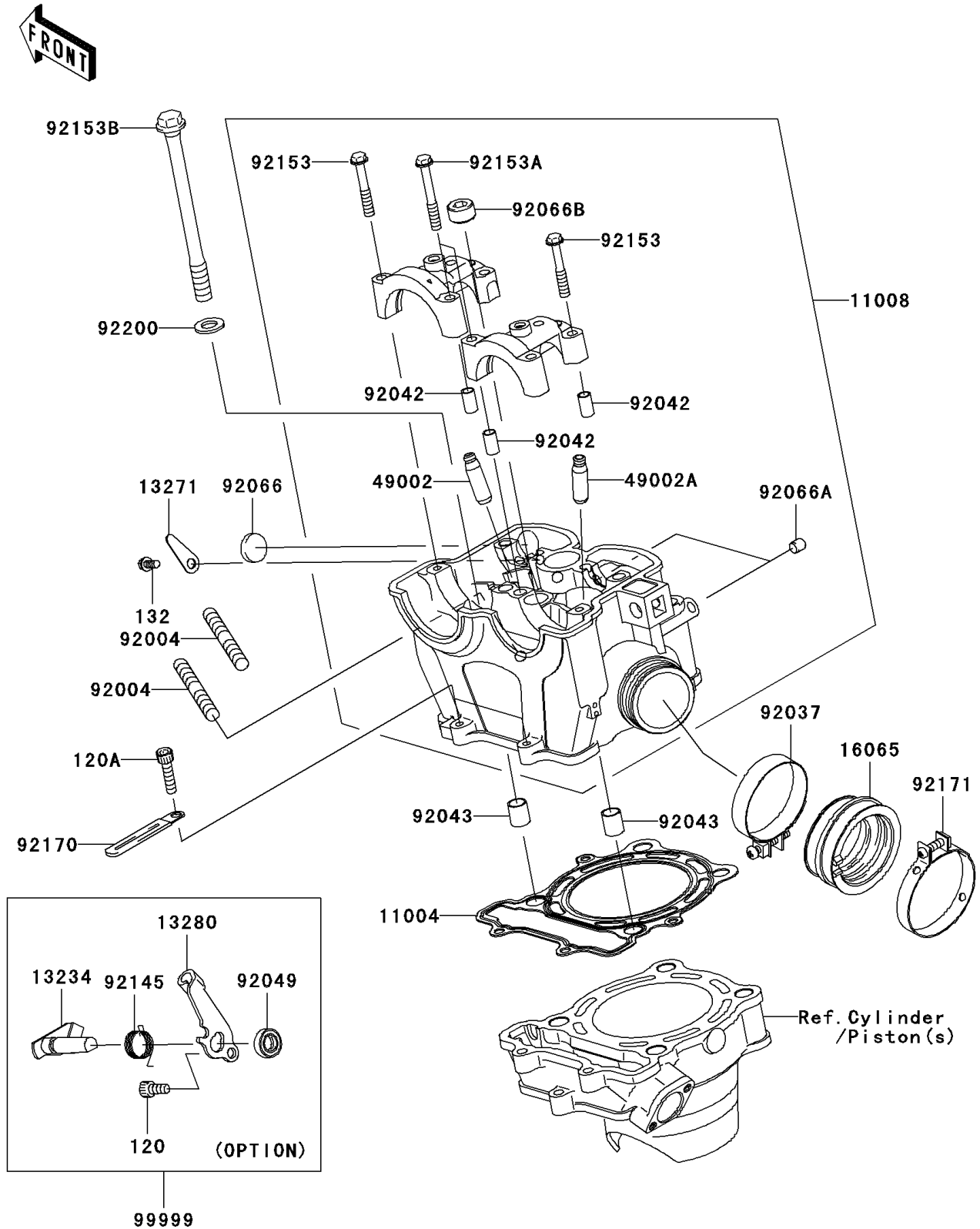


## 2007 KX250F PARTS DIAGRAM

Cylinder Head

E1111



## 2007 KX250F PARTS LIST

### Cylinder Head

| ITEM NAME                           | PART NUMBER | QUANTITY |
|-------------------------------------|-------------|----------|
| BOLT-SOCKET,6X12 (Ref # 120)        | 120P0612    | 1        |
| BOLT-SOCKET,6X25 (Ref # 120A)       | 120P0625    | 1        |
| BOLT-FLANGED-SMALL,6X12 (Ref # 132) | 132L0612    | 1        |
| GASKET-HEAD (Ref # 11004)           | 11004-0003  | 1        |
| HEAD-COMP-CYLINDER (Ref # 11008)    | 11008-0116  | 1        |
| SHAFT-COMP,DECOMP (Ref # 13234)     | 13234-0009  | 1        |
| PLATE (Ref # 13271)                 | 13271-0675  | 1        |
| HOLDER,DECOMP (Ref # 13280)         | 13280-0038  | 1        |
| HOLDER-CARBURETOR (Ref # 16065)     | 16065-0041  | 1        |
| GUIDE-VALVE (Ref # 49002)           | 49002-0003  | 1        |
| GUIDE-VALVE (Ref # 49002A)          | 49002-0016  | 1        |
| STUD,8X22 (Ref # 92004)             | 92004-1249  | 1        |
| CLAMP (Ref # 92037)                 | 92037-1523  | 1        |
| PIN,DOWEL,6.3X8X14 (Ref # 92042)    | 92042-007   | 1        |
| PIN,10.1X12X14 (Ref # 92043)        | 92043-4009  | 1        |
| SEAL-OIL (Ref # 92049)              | 92049-1196  | 1        |
| PLUG,4X18 (Ref # 92066)             | 92066-0024  | 1        |
| PLUG,OIL LINE,7.2X8 (Ref # 92066A)  | 92066-1012  | 1        |
| PLUG,10X16.6 (Ref # 92066B)         | 92066-3777  | 1        |
| SPRING (Ref # 92145)                | 92145-0048  | 1        |
| BOLT,6X38 (Ref # 92153)             | 92153-0338  | 1        |
| BOLT,6X45 (Ref # 92153A)            | 92153-0339  | 1        |
| BOLT,10X122 (Ref # 92153B)          | 92153-0341  | 1        |
| CLAMP (Ref # 92170)                 | 92170-1514  | 1        |
| CLAMP (Ref # 92171)                 | 92171-0314  | 1        |
| WASHER,10.5X19X2.3 (Ref # 92200)    | 92200-1339  | 1        |
| KIT.,MANUAL DECOMP (Ref # 99999)    | 99999-0023  | 1        |