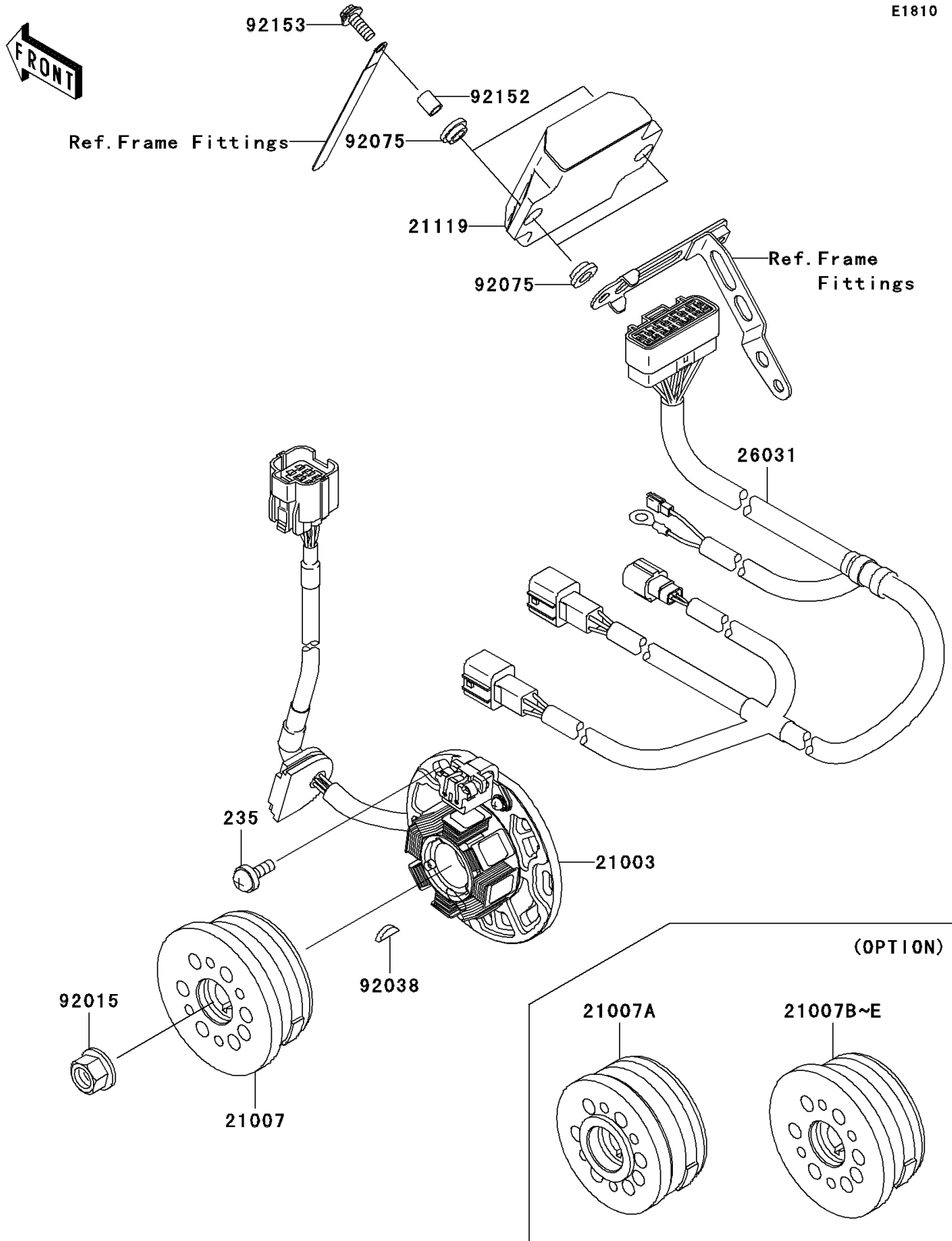


# 2006 KX250 PARTS DIAGRAM

Generator

E1810



## 2006 KX250 PARTS LIST

### Generator

ITEM NAME	PART NUMBER	QUANTITY
SCREW-PAN-WP-CROS,6X16 (Ref # 235)	235B0616	3
STATOR (Ref # 21003)	21003-0018	1
ROTOR,I=4.5 (Ref # 21007)	21007-1424	1
ROTOR,I=4.0 (Ref # 21007A)	21007-1425	1
ROTOR,I=5.3 (Ref # 21007B)	21007-1426	1
ROTOR,I=5.6 (Ref # 21007C)	21007-1427	1
ROTOR,I=5.9 (Ref # 21007D)	21007-1428	1
ROTOR,I=4.9 (Ref # 21007E)	21007-1429	1
IGNITER (Ref # 21119)	21119-0027	1
HARNESS (Ref # 26031)	26031-0278	1
NUT,FLANGED,12MM (Ref # 92015)	92015-1156	1
KEY,WOODRUFF (Ref # 92038)	92038-001	1
DAMPER,8MM (Ref # 92075)	92075-1138	4
COLLAR,IGNITER (Ref # 92152)	92152-1421	2
BOLT,6X20 (Ref # 92153)	92153-0626	2