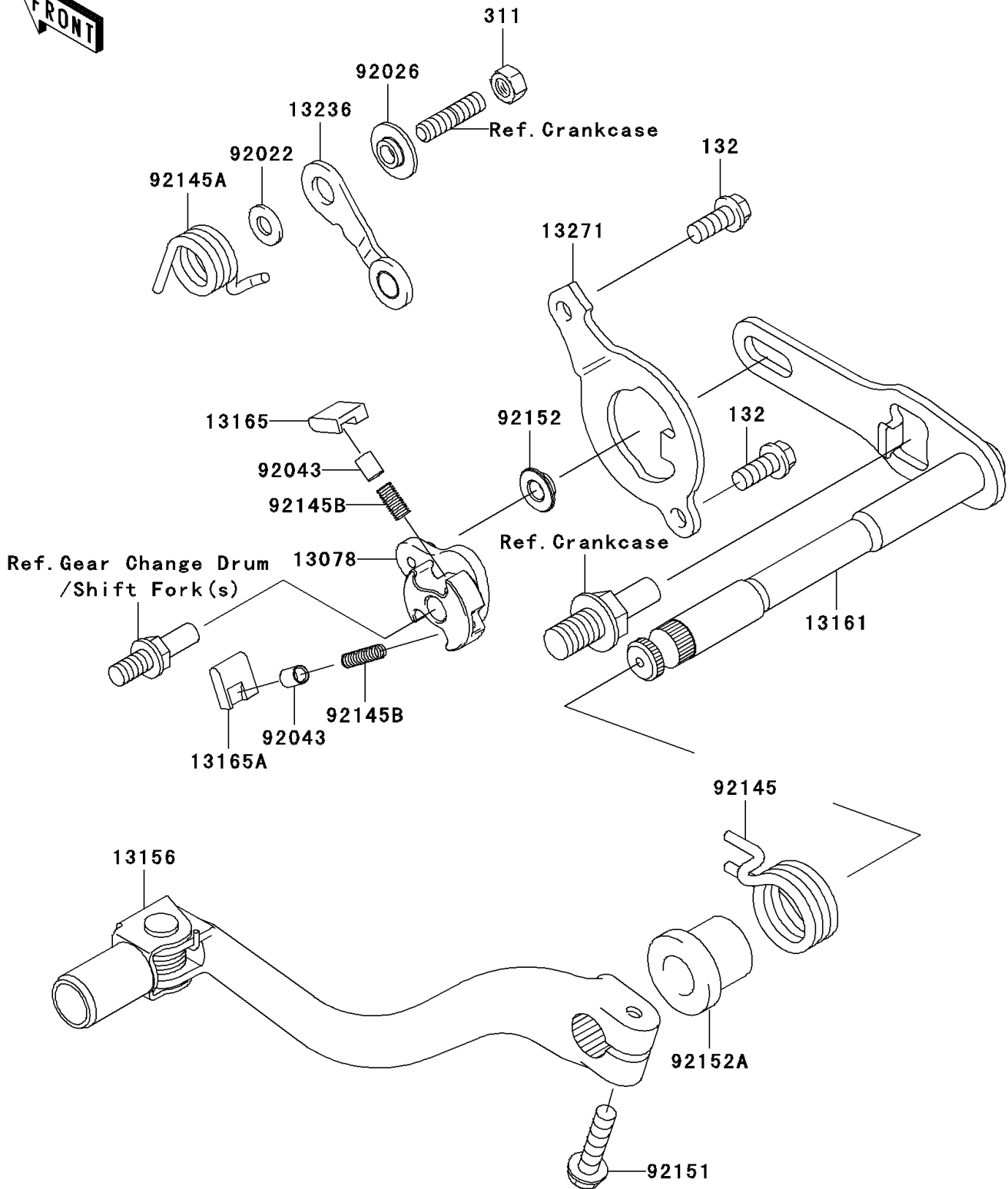


2006 KX250 PARTS DIAGRAM

Gear Change Mechanism

E1370



2006 KX250 PARTS LIST

Gear Change Mechanism

ITEM NAME	PART NUMBER	QUANTITY
BOLT-FLANGED-SMALL,6X14 (Ref # 132)	132G0614	2
NUT-HEX,6MM (Ref # 311)	311G0600	1
RATCHET (Ref # 13078)	13078-1070	1
LEVER-CHANGE,PEDAL (Ref # 13156)	13156-0049	1
LEVER-COMP-CHANGE SHAFT (Ref # 13161)	13161-0029	1
PAWL (Ref # 13165)	13165-1162	1
PAWL (Ref # 13165A)	13165-1163	1
LEVER-COMP (Ref # 13236)	13236-1391	1
PLATE (Ref # 13271)	13271-1968	1
WASHER,6X12.8X1.2 (Ref # 92022)	92022-1827	1
SPACER (Ref # 92026)	92026-1217	1
PIN,PLUNGER (Ref # 92043)	92043-1676	2
SPRING,RETURN (Ref # 92145)	92145-1488	1
SPRING,POSITION (Ref # 92145A)	92145-1489	1
SPRING (Ref # 92145B)	92145-1490	2
BOLT,FLANGED-SMALL,6X25 (Ref # 92151)	92151-1930	1
COLLAR (Ref # 92152)	92152-1414	1
COLLAR,SPRING SUPPORT (Ref # 92152A)	92152-1417	1