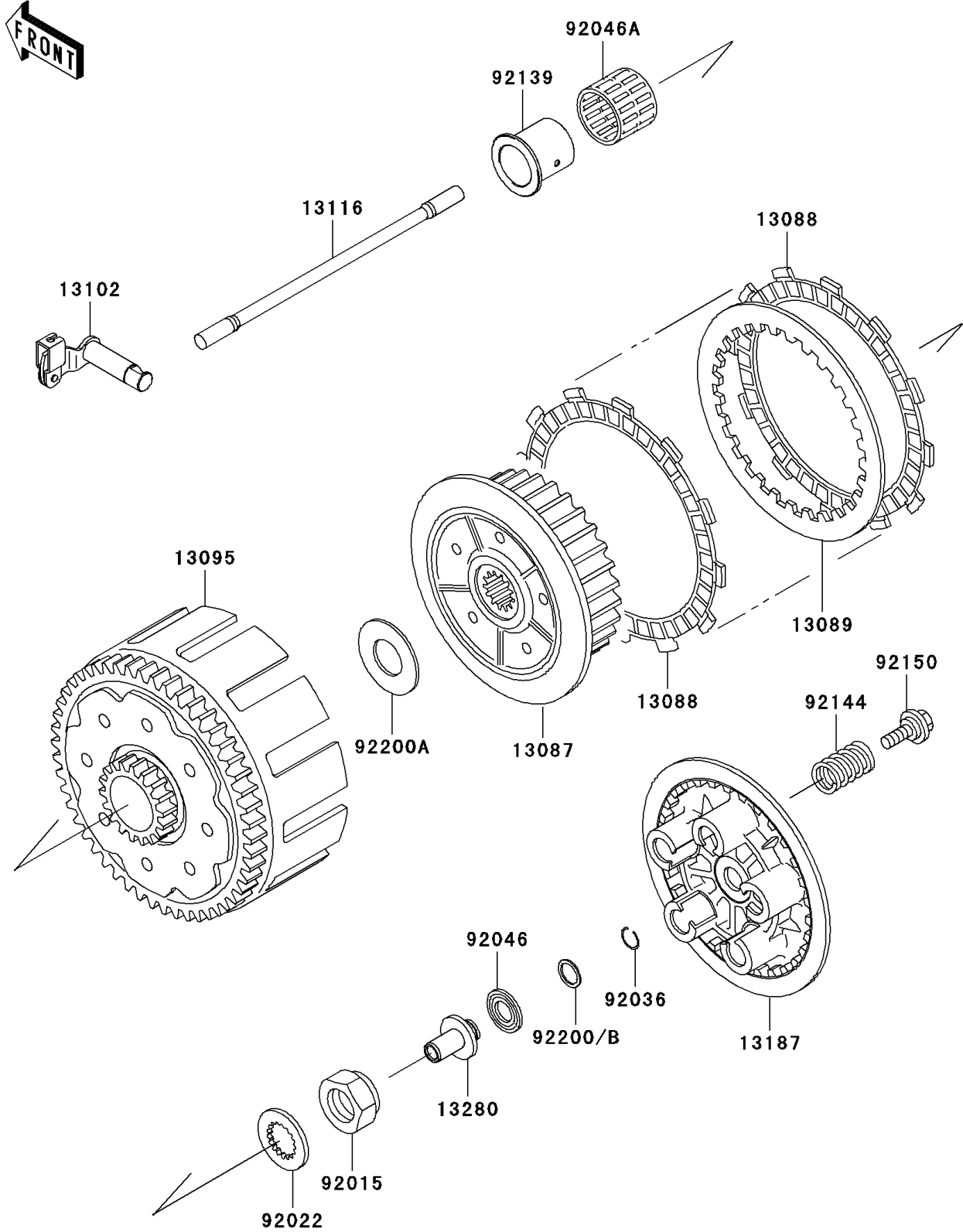


# 2007 KX250 PARTS DIAGRAM

Clutch

E1350



## 2007 KX250 PARTS LIST

### Clutch

ITEM NAME	PART NUMBER	QUANTITY
HUB-CLUTCH (Ref # 13087)	13087-1168	1
PLATE-FRICTION (Ref # 13088)	13088-1089	8
PLATE-CLUTCH (Ref # 13089)	13089-1066	7
HOUSING-COMP-CLUTCH (Ref # 13095)	13095-0048	1
RELEASE-COMP-CLUTCH (Ref # 13102)	13102-0014	1
ROD-PUSH (Ref # 13116)	13116-1172	1
PLATE-CLUTCH OPERATING (Ref # 13187)	13187-1090	1
HOLDER,CLUTUCH RELEASE (Ref # 13280)	13280-1284	1
NUT,20MM (Ref # 92015)	92015-1725	1
WASHER (Ref # 92022)	92022-1942	1
RING-SNAP,PISTON PIN (Ref # 92036)	92036-007	1
BEARING-NEEDLE,FNTA-1326 (Ref # 92046)	92046-1190	1
BEARING-NEEDLE,K30X30X29.8 (Ref # 92046A)	92046-1304	1
BUSHING (Ref # 92139)	92139-0096	1
SPRING,CLUTCH (Ref # 92144)	92144-1351	5
BOLT,6X22 (Ref # 92150)	92150-1489	5
WASHER,13.4X25X1.0 (Ref # 92200)	92200-0045	AR
WASHER,22.5X47X2 (Ref # 92200A)	92200-1143	1
WASHER,13.4X25.0X1.5 (Ref # 92200B)	92200-1548	1