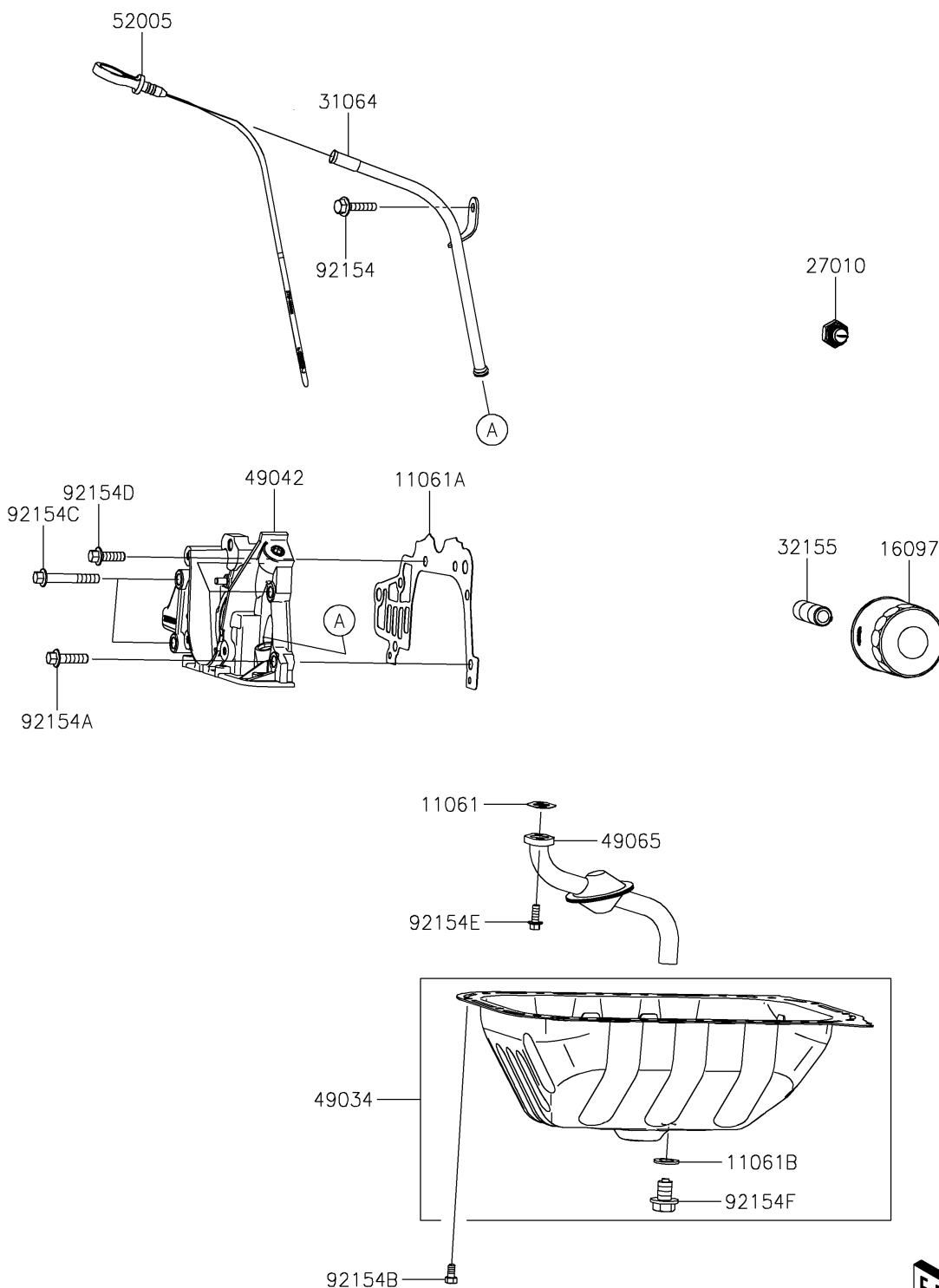


# 2021 MULE PRO-FXT™ RANCH EDITION

## PARTS DIAGRAM

### Oil Pump/Oil Filter

E1710



# 2021 MULE PRO-FXT™ RANCH EDITION

**Kawasaki**  
Let the Good Times Roll®

## PARTS LIST

### Oil Pump/Oil Filter

| ITEM NAME                           | PART NUMBER | QUANTITY |
|-------------------------------------|-------------|----------|
| GASKET,OIL PICKUP (Ref # 11061)     | 11061-0957  | 1        |
| GASKET,OIL PUMP (Ref # 11061A)      | 11061-0958  | 1        |
| GASKET,DRAIN (Ref # 11061B)         | 11061-0962  | 1        |
| FILTER-ASSY-OIL (Ref # 16097)       | 16097-0010  | 1        |
| SWITCH,OIL PRESSURE (Ref # 27010)   | 27010-0804  | 1        |
| PIPE-COMP,LEVEL GAUGE (Ref # 31064) | 31064-0633  | 1        |
| PIPE,OIL FILTER (Ref # 32155)       | 32155-1893  | 1        |
| PAN-OIL (Ref # 49034)               | 49034-0558  | 1        |
| PUMP-OIL (Ref # 49042)              | 49042-0001  | 1        |
| FILTER-OIL (Ref # 49065)            | 49065-0029  | 1        |
| GAUGE,OIL LEVEL (Ref # 52005)       | 52005-0728  | 1        |
| BOLT,FLANGED (Ref # 92154)          | 92154-1579  | 1        |
| BOLT,FLANGED,8X30 (Ref # 92154A)    | 92154-1592  | 3        |
| BOLT,6X12 (Ref # 92154B)            | 92154-1594  | 17       |
| BOLT,FLANGED,8X55 (Ref # 92154C)    | 92154-1601  | 2        |
| BOLT,FLANGED,8X25 (Ref # 92154D)    | 92154-1602  | 1        |
| BOLT,6X16 (Ref # 92154E)            | 92154-1617  | 2        |
| BOLT,DRAIN (Ref # 92154F)           | 92154-1635  | 1        |