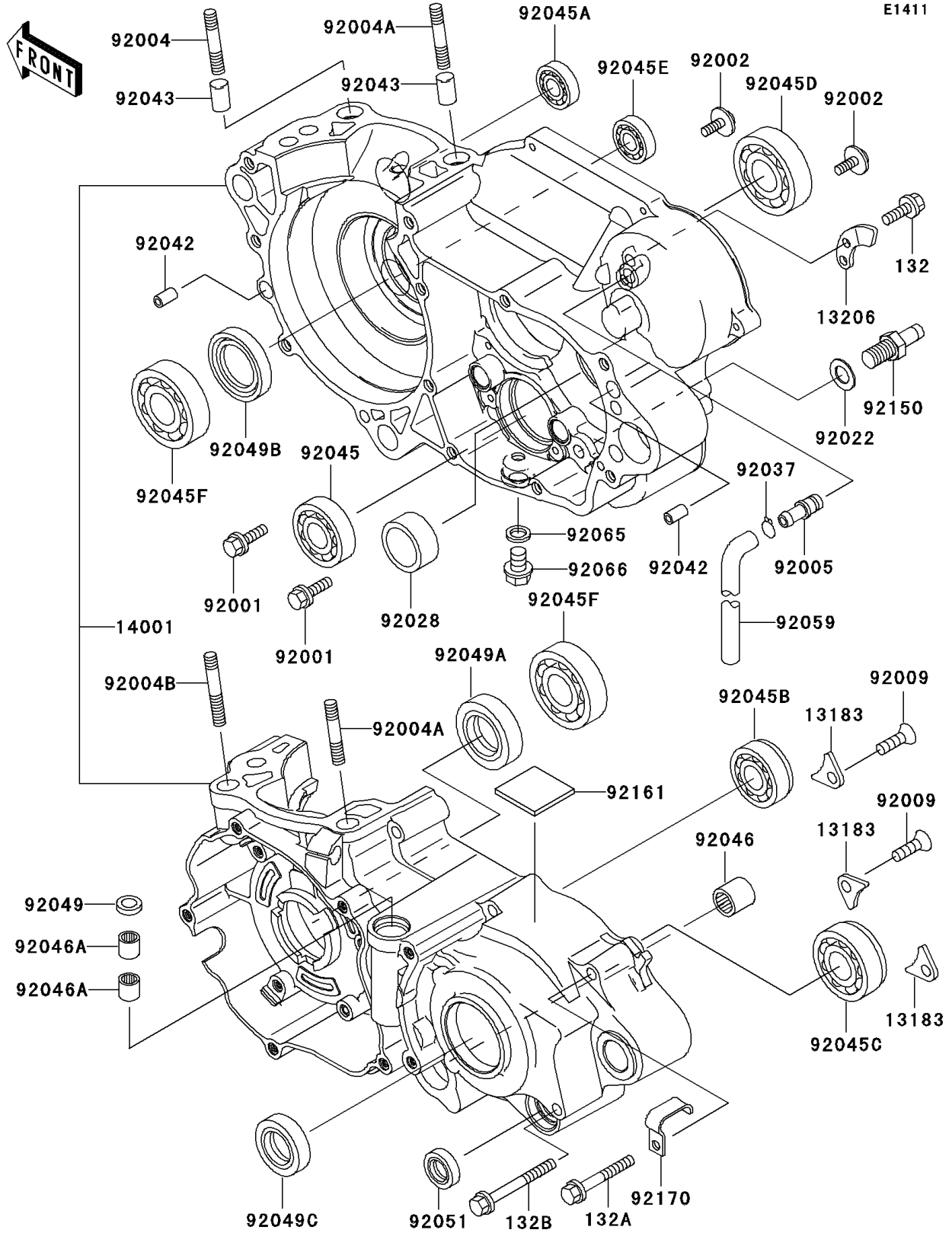


# 2002 KX250 PARTS DIAGRAM

Crankcase



## 2002 KX250 PARTS LIST

### Crankcase

ITEM NAME	PART NUMBER	QUANTITY
BOLT-FLANGED-SMALL (Ref # 132)	132G0616	1
BOLT-FLANGED-SMALL (Ref # 132A)	132G0645	11
BOLT-FLANGED-SMALL (Ref # 132B)	132G0675	1
PLATE (Ref # 13183)	13183-1182	3
GUIDE-KICK (Ref # 13206)	13206-1062	1
SET-CRANKCASE (Ref # 14001)	14001-1293	1
BOLT,W/WASHER,6X14 (Ref # 92001)	92001-1829	2
BOLT,6X16 (Ref # 92002)	92002-1659	2
STUD,10X53 (Ref # 92004)	92004-1165	1
STUD,10X66 (Ref # 92004A)	92004-1203	2
STUD,10X41 (Ref # 92004B)	92004-1250	1
FITTING,BREATHER (Ref # 92005)	92005-1210	1
SCREW,6X10 (Ref # 92009)	92009-1563	3
WASHER,10.2X18X1.0,SK5 (Ref # 92022)	92022-1415	1
BUSHING,26X35X14 (Ref # 92028)	92028-131	1
CLAMP (Ref # 92037)	92037-1610	1
PIN,DOWEL,6.3X8X14 (Ref # 92042)	92042-007	2
PIN,11X14X12.3 (Ref # 92043)	92043-1266	2
BEARING-BALL,6905Z (Ref # 92045)	92045-1058	1
BEARING-BALL,#628 (Ref # 92045A)	92045-1123	1
BEARING-BALL (Ref # 92045B)	92045-1233	1
BEARING-BALL (Ref # 92045C)	92045-1240	1
BEARING-BALL,63/22/25X7 (Ref # 92045D)	92045-1300	1
BEARING-BALL (Ref # 92045E)	92045-1345	1
BEARING-BALL,CRANK MAIN 28X72 (Ref # 92045F)	92045-1430	2
BEARING-NEEDLE,7E-HK1412 (Ref # 92046)	92046-037	1
BEARING-NEEDLE,HK1210 (Ref # 92046A)	92046-1010	2
SEAL-OIL (Ref # 92049)	92049-1262	1
SEAL-OIL,TCJ20407 (Ref # 92049A)	92049-1554	1

## 2002 KX250 PARTS LIST

### Crankcase

ITEM NAME	PART NUMBER	QUANTITY
SEAL-OIL,TCJ25457 (Ref # 92049B)	92049-1555	1
SEAL-OIL,TB30407 (Ref # 92049C)	92049-1556	1
SEAL-OIL,TB13225.5 (Ref # 92051)	92051-005	1
TUBE,6X9X360 (Ref # 92059)	92059-103	1
GASKET,10.5X16X1 (Ref # 92065)	92065-058	1
PLUG,DRAIN (Ref # 92066)	92066-1437	1
BOLT,RETURN SPRING (Ref # 92150)	92150-1803	1
DAMPER (Ref # 92161)	92161-1249	1
CLAMP (Ref # 92170)	92170-1555	1