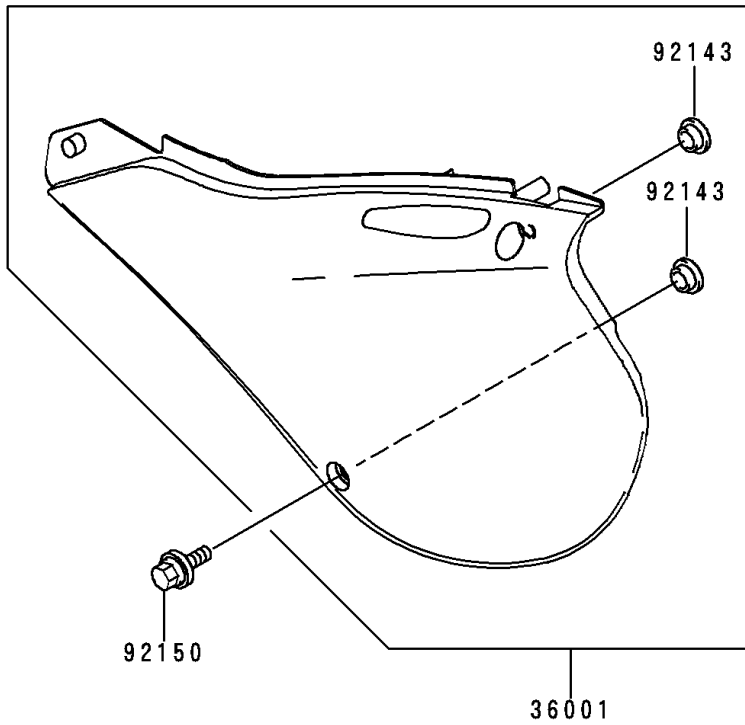
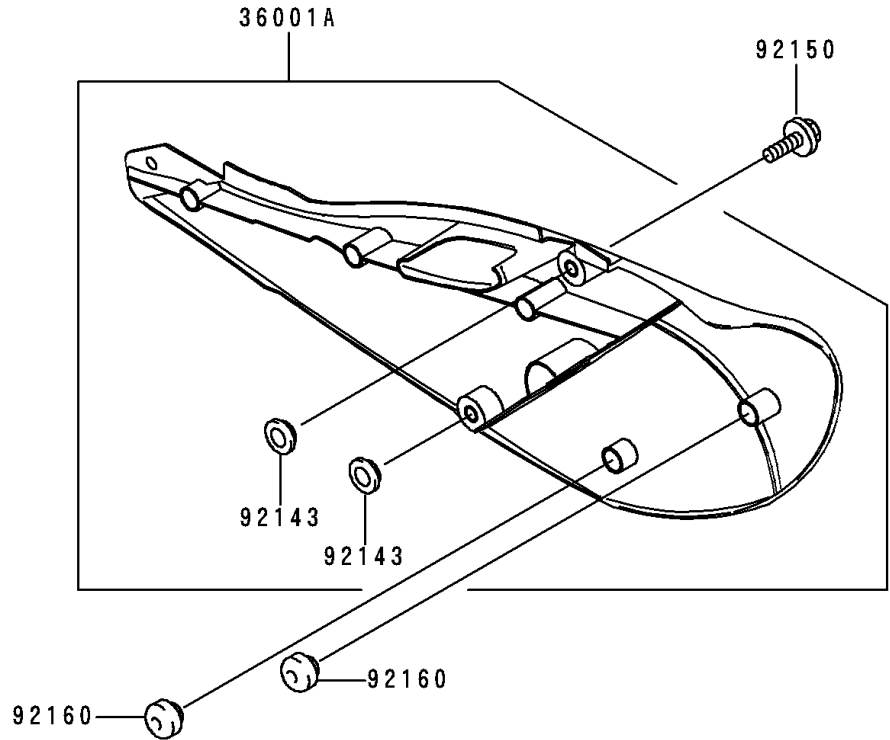


# 2000 KX250 PARTS DIAGRAM

Side Covers

F2611



## 2000 KX250 PARTS LIST

### Side Covers

<b>ITEM NAME</b>	<b>PART NUMBER</b>	<b>QUANTITY</b>
COVER-SIDE,LH,P.WHITE (Ref # 36001)	36001-1627-6F	1
COVER-SIDE,RH,P.WHITE (Ref # 36001A)	36001-1628-6F	1
COLLAR (Ref # 92143)	92143-1196	4
BOLT,6X20 (Ref # 92150)	92150-1339	2
DAMPER (Ref # 92160)	92160-1994	2