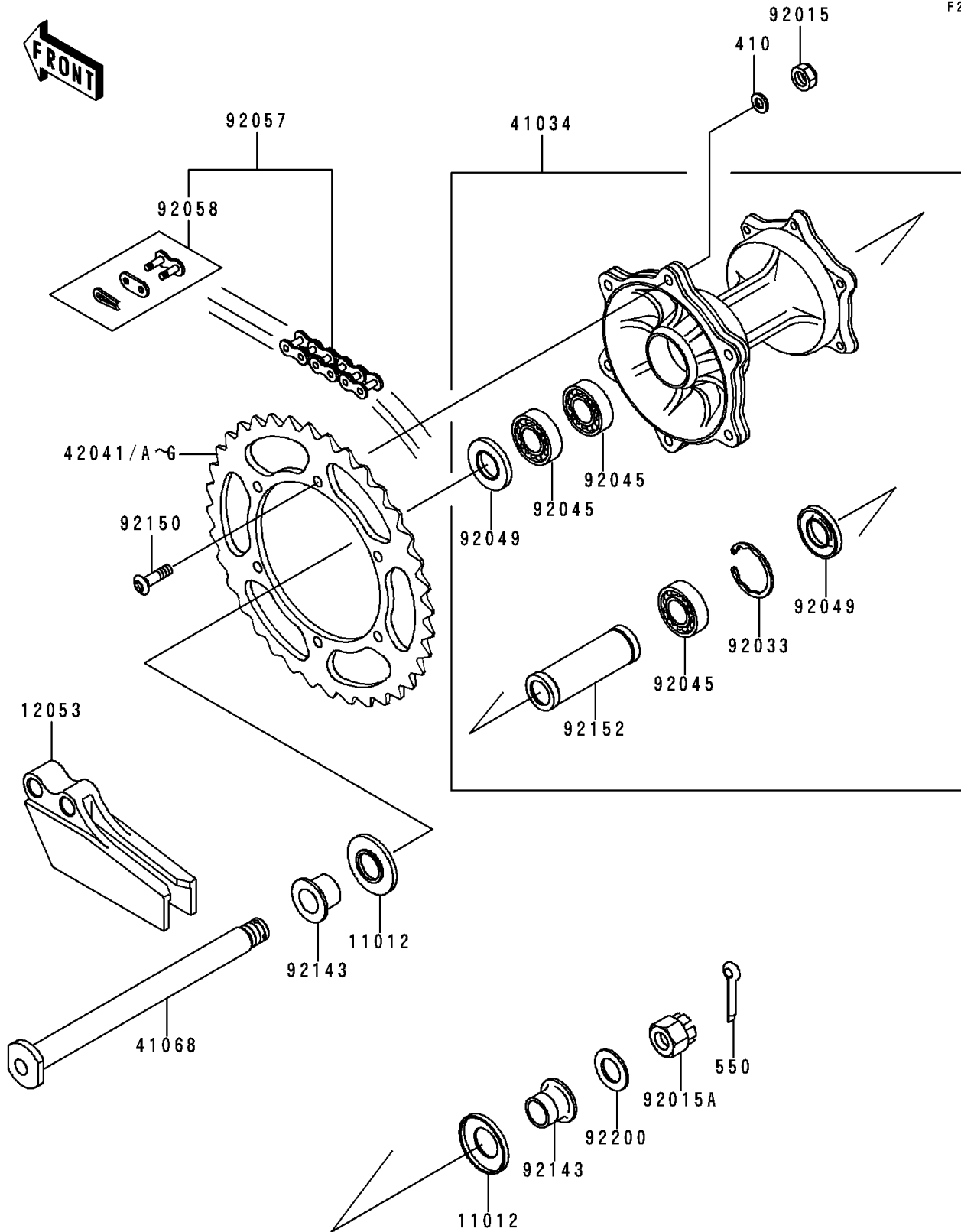


2000 KX250 PARTS DIAGRAM

Rear Hub

F2240



2000 KX250 PARTS LIST

Rear Hub

ITEM NAME	PART NUMBER	QUANTITY
WASHER-PLAIN-SMALL,8MM (Ref # 410)	410B0800	6
PIN-COTTER,3.0X25 (Ref # 550)	550D3025	1
CAP,AXLE (Ref # 11012)	11012-1581	2
GUIDE-CHAIN,DRIVE,RR (Ref # 12053)	12053-1376	1
DRUM-ASSY,REAR BRAKE (Ref # 41034)	41034-1301	1
AXLE,RR (Ref # 41068)	41068-1343	1
SPROCKET-HUB,47T (Ref # 42041)	42041-1382	1
SPROCKET-HUB,48T (Ref # 42041A)	42041-1383	1
SPROCKET-HUB,49T (Ref # 42041B)	42041-1384	1
SPROCKET-HUB,47T,AL (Ref # 42041C)	42041-1447	1
SPROCKET-HUB,48T,AL (Ref # 42041D)	42041-1448	1
SPROCKET-HUB,49T,AL (Ref # 42041E)	42041-1449	1
SPROCKET-HUB,50T,AL (Ref # 42041F)	42041-1450	1
SPROCKET-HUB,46T,AL (Ref # 42041G)	42041-1501	1
NUT,8MM (Ref # 92015)	92015-1432	6
NUT,CASTLE,18MM (Ref # 92015A)	92015-1885	1
RING-SNAP,42MM (Ref # 92033)	92033-1041	1
BEARING-BALL,6004X8JRLX2/3A (Ref # 92045)	92045-1239	3
SEAL-OIL,MHSA25 42 6 (Ref # 92049)	92049-1314	2
CHAIN,DRIVE,DID520DMX114L (Ref # 92057)	92057-1438	1
JOINT-CHAIN,DRIVE (Ref # 92058)	92058-1074	1
COLLAR,RR AXLE,L=20 (Ref # 92143)	92143-1905	2
BOLT,SOCKET,8X28 (Ref # 92150)	92150-1978	6
COLLAR,RR BRAKE DRUM,L=93 (Ref # 92152)	92152-1144	1
WASHER,18.5X32X2.3 (Ref # 92200)	92200-1149	1