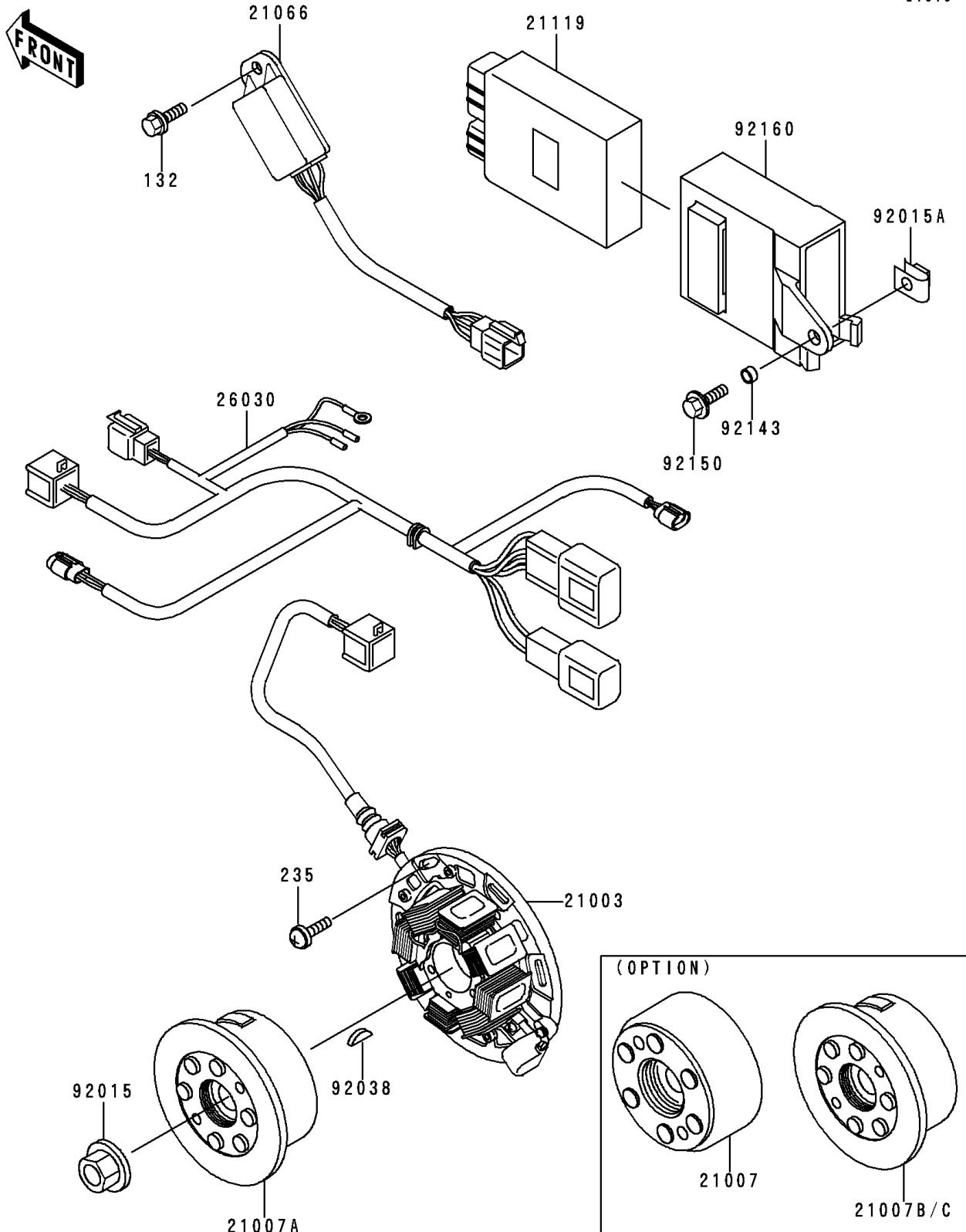


# 2000 KX250 PARTS DIAGRAM

Generator

E1810



## 2000 KX250 PARTS LIST

### Generator

ITEM NAME	PART NUMBER	QUANTITY
BOLT-FLANGED-SMALL (Ref # 132)	132G0610	1
SCREW-PAN-WP-CROS (Ref # 235)	235B0616	3
STATOR (Ref # 21003)	21003-1340	1
ROTOR,I=4.5KGCM2 (Ref # 21007)	21007-1352	1
ROTOR,I=4.9KGCM2 (Ref # 21007A)	21007-1372	1
ROTOR,I=5.5KGCM2 (Ref # 21007B)	21007-1376	1
ROTOR,I=5.9KGCM2 (Ref # 21007C)	21007-1377	1
REGULATOR-VOLTAGE (Ref # 21066)	21066-1123	1
IGNITER (Ref # 21119)	21119-1548	1
HARNESS (Ref # 26030)	26030-1676	1
NUT,FLANGED,12MM (Ref # 92015)	92015-1156	1
NUT,6MM (Ref # 92015A)	92015-1602	1
KEY,WOODRUFF (Ref # 92038)	92038-001	1
COLLAR (Ref # 92143)	92143-1561	1
BOLT,FLANGED,6X16 (Ref # 92150)	92150-1506	1
DAMPER (Ref # 92160)	92160-1945	1