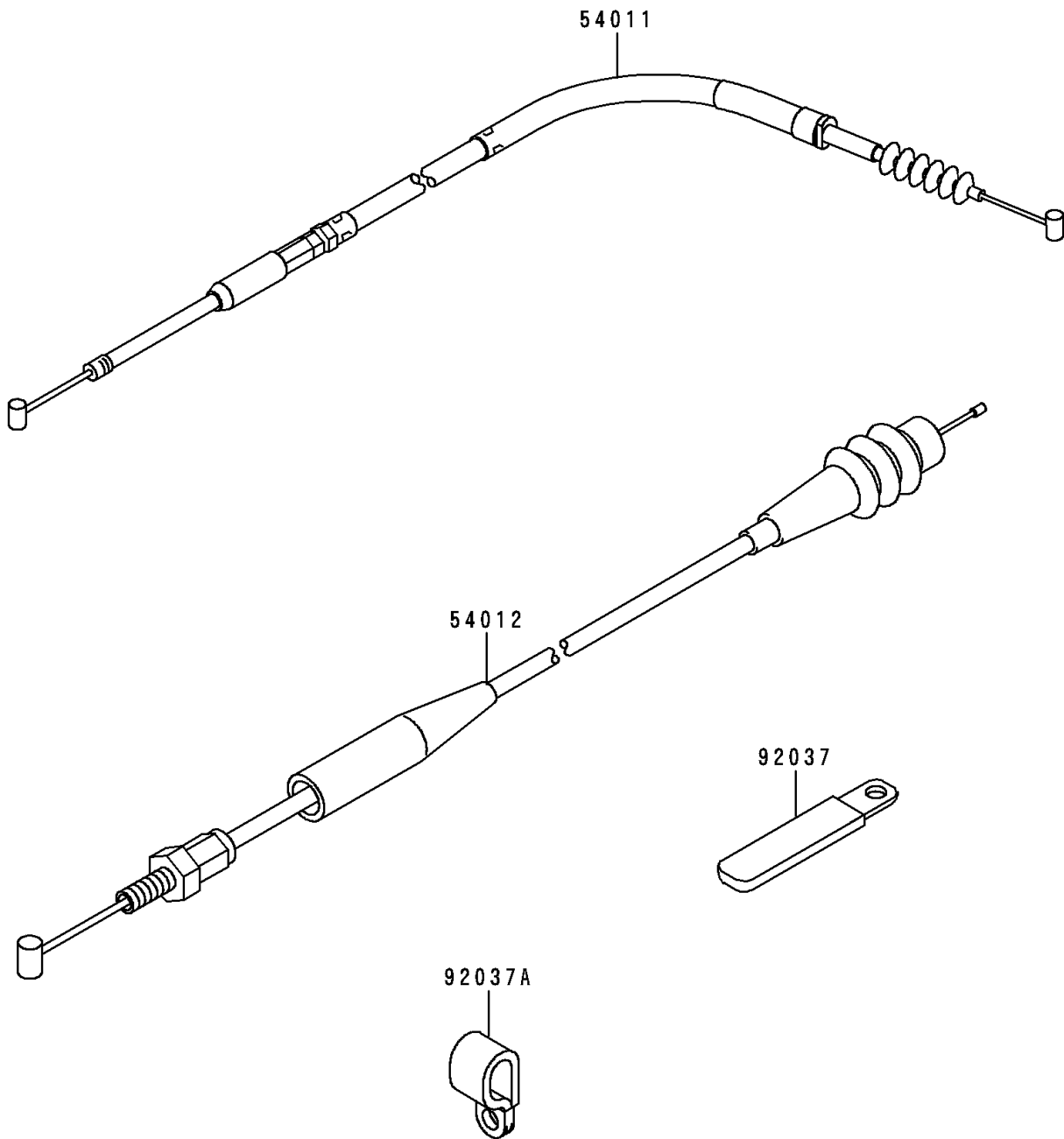


# 1995 KX250 PARTS DIAGRAM

Cables

F 2 5 4 0



# 1995 KX250 PARTS LIST

## Cables

<b>ITEM NAME</b>	<b>PART NUMBER</b>	<b>QUANTITY</b>
CABLE-CLUTCH (Ref # 54011)	54011-1327	1
CABLE-THROTTLE (Ref # 54012)	54012-1432	1
CLAMP,WIRING HARNESS (Ref # 92037)	92037-1539	1
CLAMP (Ref # 92037A)	92037-1608	1