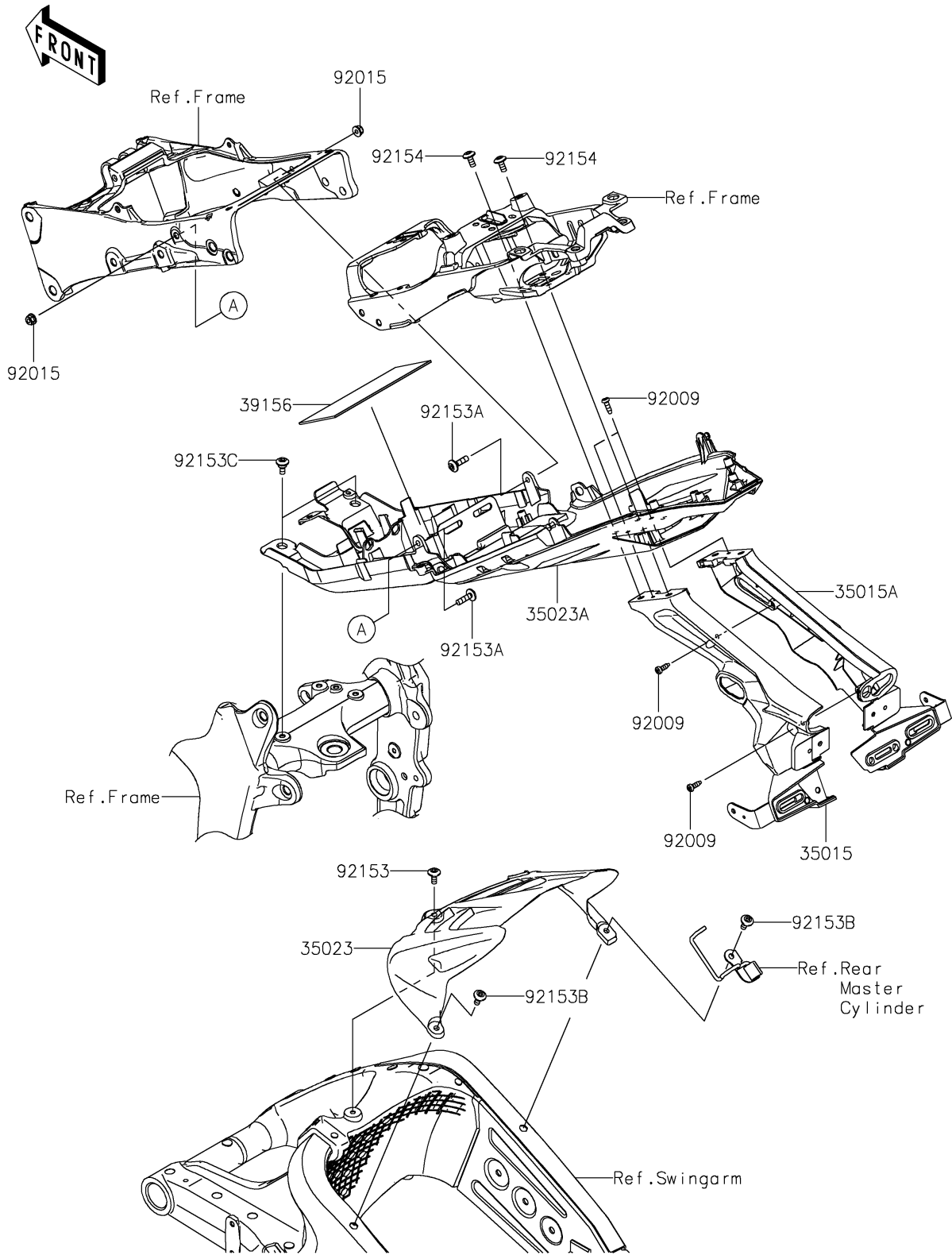


2019 NINJA® ZX™-6R ABS PARTS DIAGRAM

Rear Fender(s)

F2172



2019 NINJA® ZX™-6R ABS PARTS LIST

Rear Fender(s)

| ITEM NAME | PART NUMBER | QUANTITY |
|------------------------------------|-------------|----------|
| FLAP-COMP,LH (Ref # 35015) | 35015-0040 | 1 |
| FLAP-COMP,RH (Ref # 35015A) | 35015-0041 | 1 |
| FENDER-REAR,INNER (Ref # 35023) | 35023-0171 | 1 |
| FENDER-REAR (Ref # 35023A) | 35023-0446 | 1 |
| PAD (Ref # 39156) | 39156-0530 | 1 |
| SCREW,TAPPING,5X16 (Ref # 92009) | 92009-1984 | 1 |
| NUT,LOCK,FLANGED,6MM (Ref # 92015) | 92015-1603 | 1 |
| BOLT,SOCKET,6X14 (Ref # 92153) | 92153-0422 | 1 |
| BOLT,SOCKET,6X22 (Ref # 92153A) | 92153-1356 | 1 |
| BOLT,SOCKET,6X18 (Ref # 92153B) | 92153-1675 | 1 |
| BOLT,SOCKET,6MM (Ref # 92153C) | 92153-1956 | 1 |
| BOLT,SOCKET,6X14 (Ref # 92154) | 92154-0745 | 1 |