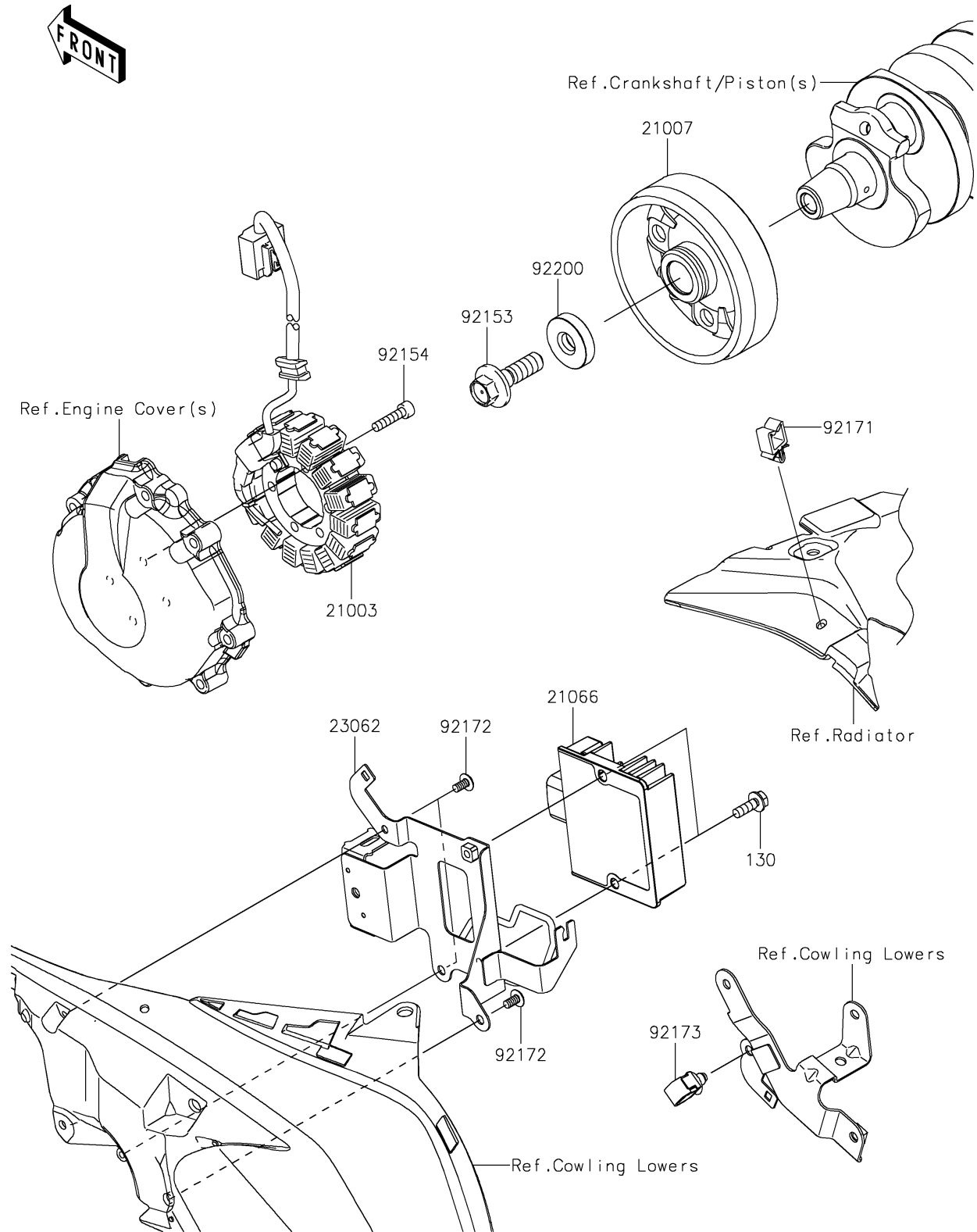


2019 NINJA® ZX™-6R ABS KRT EDITION PARTS DIAGRAM

Generator

E1810



2019 NINJA® ZX™-6R ABS KRT EDITION PARTS LIST

Generator

ITEM NAME	PART NUMBER	QUANTITY
BOLT-FLANGED,6X18 (Ref # 130)	130BA0618	1
STATOR (Ref # 21003)	21003-0185	1
ROTOR (Ref # 21007)	21007-0674	1
REGULATOR-VOLTAGE (Ref # 21066)	21066-0756	1
BRACKET-COMP,REGULATOR (Ref # 23062)	23062-1156	1
BOLT,12X40 (Ref # 92153)	92153-1855	1
BOLT,SOCKET,6X25 (Ref # 92154)	92154-0477	1
CLAMP (Ref # 92171)	92171-0290	1
SCREW,TAPPING,5X10 (Ref # 92172)	92172-0262	1
CLAMP,12MM DIA. (Ref # 92173)	92173-0736	1
WASHER,12X36X8 (Ref # 92200)	92200-1249	1