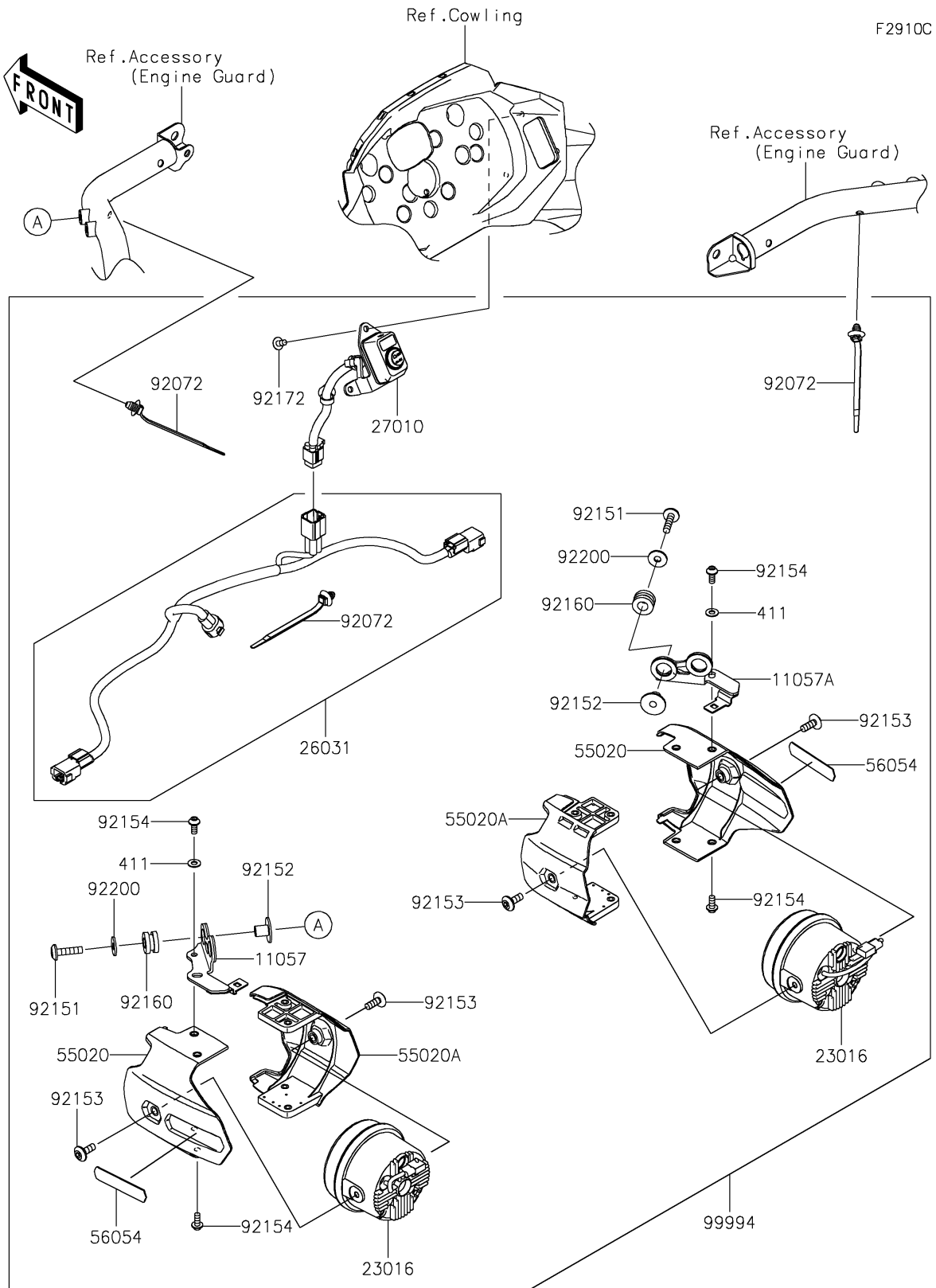


## 2017 Versys-X 300 ABS PARTS DIAGRAM

Accessory (Fog Lamp)



## 2017 Versys-X 300 ABS PARTS LIST

Accessory(Fog Lamp)

ITEM NAME	PART NUMBER	QUANTITY
BRACKET,SUBLAMP,LH (Ref # 11057)	11057-0624	1
BRACKET,SUBLAMP,RH (Ref # 11057A)	11057-0625	1
LAMP-ASSY,LED,FOG,PIAA (Ref # 23016)	23016-0599	1
HARNESS,FOG LAMP (Ref # 26031)	26031-2337	1
SWITCH,FOG LAMP (Ref # 27010)	27010-0850	1
WASHER-PLAIN,5MM (Ref # 411)	411AB0500	1
GUARD,OUTER (Ref # 55020)	55020-1825	1
GUARD,INNER (Ref # 55020A)	55020-1826	1
MARK,FOG LAMP,KAWASAKI (Ref # 56054)	56054-1695	1
BAND,OS170-FT7(BLACK) (Ref # 92072)	92072-1414	1
BOLT,SOCKET,6X25 (Ref # 92151)	92151-1611	1
COLLAR,6.5X10X13.6 (Ref # 92152)	92152-2204	1
BOLT,SOCKET,6X16 (Ref # 92153)	92153-1526	1
BOLT,SOCKET,5X12 (Ref # 92154)	92154-0917	1
DAMPER,10X20X12 (Ref # 92160)	92160-1167	1
SCREW,5X10 (Ref # 92172)	92172-0864	1
WASHER,6.5X18X1.6 (Ref # 92200)	92200-0766	1
KIT-ACCESSORY,FOG LAMP (Ref # 99994)	99994-0996	1