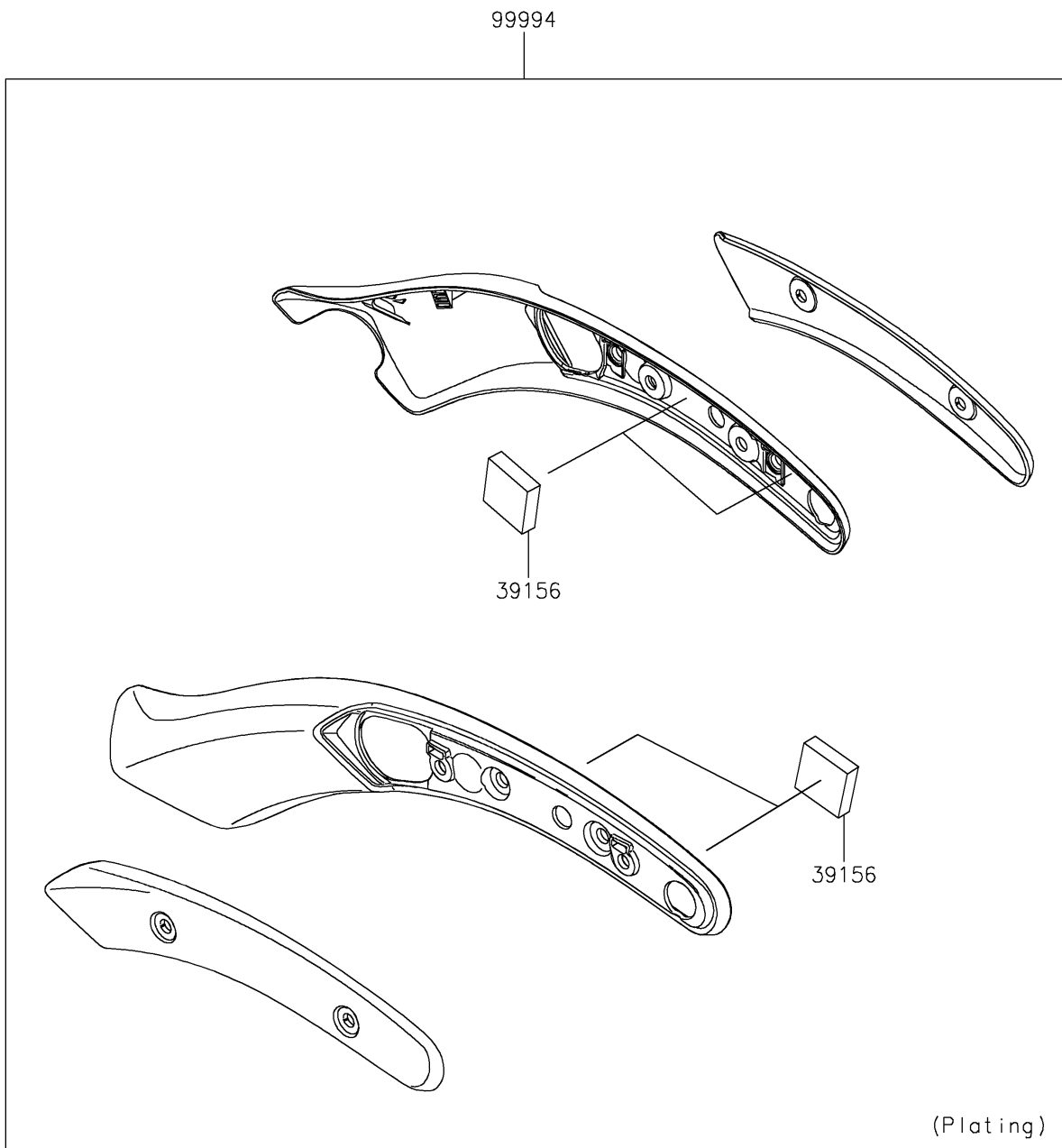


# 2020 VULCAN<sup>®</sup> S ABS CAPE PARTS DIAGRAM

Accessory(Fender Strut Cover)

F2910J



# 2020 VULCAN® S ABS CAFE PARTS LIST

Accessory(Fender Strut Cover)

ITEM NAME	PART NUMBER	QUANTITY
-----------	-------------	----------