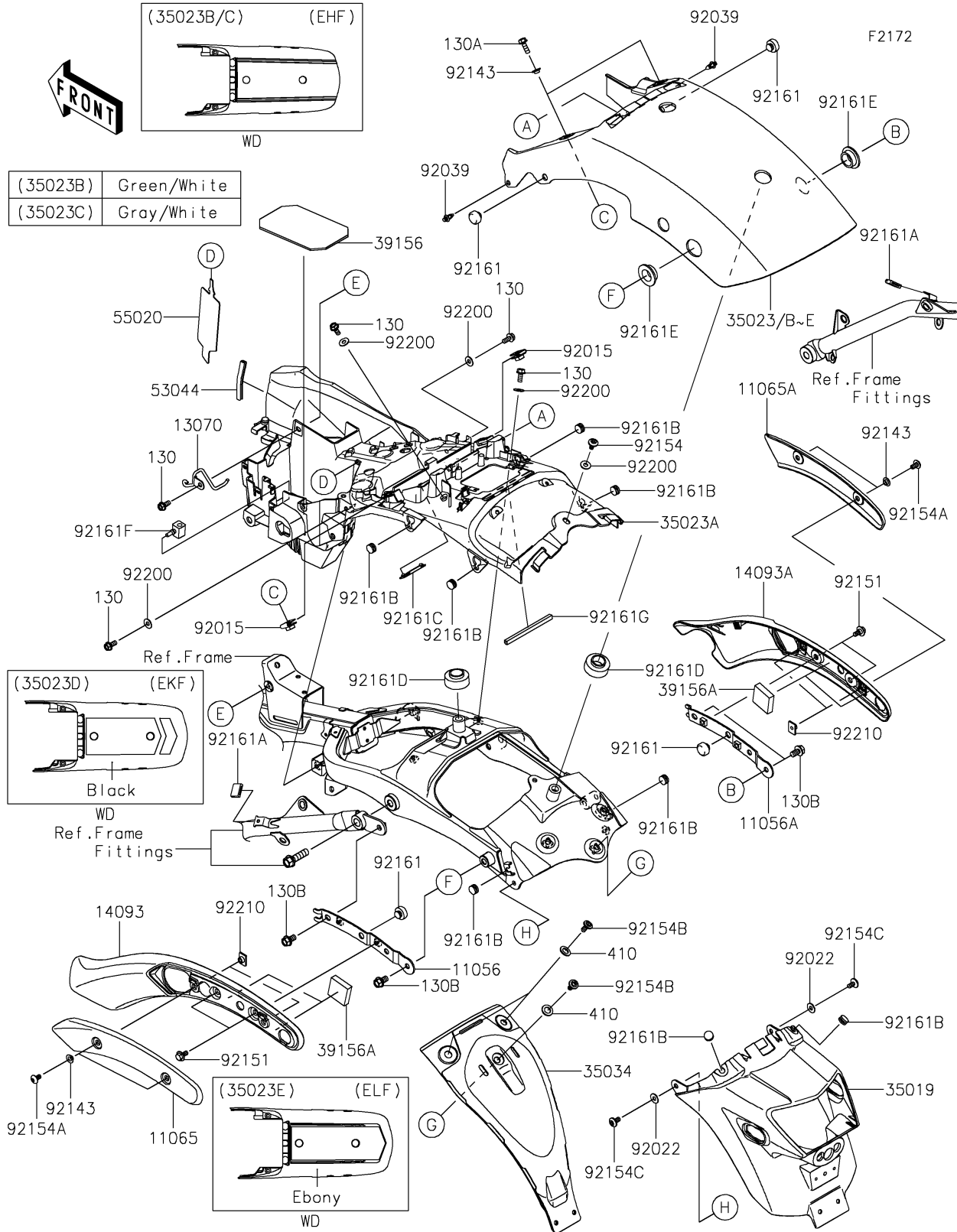


2020 VULCAN® S ABS CAFE PARTS DIAGRAM

Rear Fender(s)



(35023B)	Green/White
(35023C)	Gray/White

(35023D)	(EKF)
Black	
WD	
Ref. Frame Fittings	

(35023E)	(ELF)
Ebony	
WD	

2020 VULCAN® S ABS CAFE PARTS LIST

Rear Fender(s)

ITEM NAME	PART NUMBER	QUANTITY
BRACKET,STRUT COVER,LH (Ref # 11056)	11056-3997	1
BRACKET,STRUT COVER,RH (Ref # 11056A)	11056-3998	1
CAP,LH,F.S.BLACK (Ref # 11065)	11065-0864-18T	1
CAP,RH,F.S.BLACK (Ref # 11065A)	11065-0865-18T	1
BOLT-FLANGED,6X14 (Ref # 130)	130BA0614	5
GUIDE (Ref # 13070)	13070-0791	1
COVER,STRUT,LH,F.S.BLACK (Ref # 14093)	14093-0103-18T	1
COVER,STRUT,RH,F.S.BLACK (Ref # 14093A)	14093-0104-18T	1
FLAP (Ref # 35019)	35019-0595	1
FENDER-REAR (Ref # 35023A)	35023-0407	1
FENDER-REAR,EBONY (Ref # 35023E)	35023-5327-H8	1
REINFORCE (Ref # 35034)	35034-0593	1
PAD (Ref # 39156)	39156-1829	1
PAD,35X35X10 (Ref # 39156A)	39156-1901	4
TRIM,L=65 (Ref # 53044)	53044-0584	1
GUARD (Ref # 55020)	55020-1881	1
NUT,6MM (Ref # 92015)	92015-1094	2
WASHER,6.5X16X1.0 (Ref # 92022)	92022-1093	2
RIVET (Ref # 92039)	92039-0709	2
COLLAR (Ref # 92143)	92143-1331	6
BOLT,FLANGED,6X13 (Ref # 92151)	92151-1703	4
BOLT,SOCKET,6X12 (Ref # 92154)	92154-0951	1
BOLT,SOCKET,6X12 (Ref # 92154A)	92154-1484	4
BOLT,SOCKET,8X14 (Ref # 92154B)	92154-1769	3
BOLT,SOCKET,6X12 (Ref # 92154C)	92154-1788	2
DAMPER,10X20X8 (Ref # 92161)	92161-0855	4
DAMPER,15X21X5.5 (Ref # 92161A)	92161-1472	2
DAMPER,8X14X8.9 (Ref # 92161B)	92161-1666	8
DAMPER,GPS HOLE (Ref # 92161C)	92161-1682	1

2020 VULCAN® S ABS CAFE PARTS LIST

Rear Fender(s)

ITEM NAME	PART NUMBER	QUANTITY
DAMPER (Ref # 92161D)	92161-1683	2
DAMPER (Ref # 92161E)	92161-1693	2
DAMPER,TOOL WRENCH (Ref # 92161F)	92161-1760	1
DAMPER,7X6X100 (Ref # 92161G)	92161-1761	1
WASHER,6.5X16X1.0 (Ref # 92200)	92200-0796	5
NUT,PLATE,6MM (Ref # 92210)	92210-1352	4
BOLT-FLANGED,6X18 (Ref # 130A)	130BA0618	2
BOLT-FLANGED,8X14 (Ref # 130B)	130BA0814	4
WASHER-PLAIN-SMALL,10MM (Ref # 410)	410AA1000	3