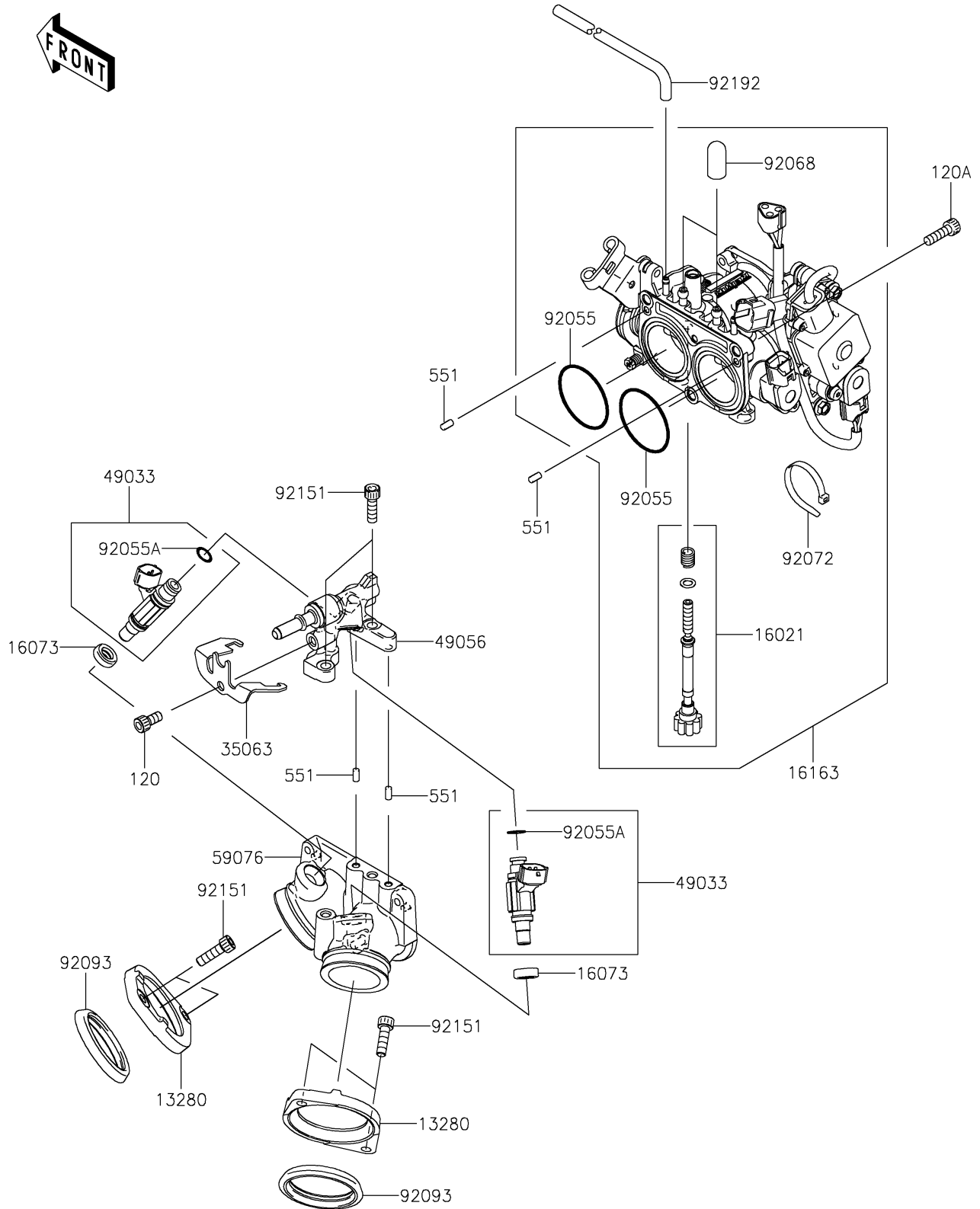


2018 VULCAN® 900 CLASSIC PARTS DIAGRAM

Throttle

E1510



2018 VULCAN® 900 CLASSIC PARTS LIST

Throttle

ITEM NAME	PART NUMBER	QUANTITY
BOLT-SOCKET,6X12 (Ref # 120)	120CA0612	1
BOLT-SOCKET,6X20 (Ref # 120A)	120CA0620	1
HOLDER (Ref # 13280)	13280-1154	1
SCREW-THROTTLE STOP (Ref # 16021)	16021-0016	1
INSULATOR (Ref # 16073)	16073-3707	1
THROTTLE-ASSY,TTK34 (Ref # 16163)	16163-0114	1
STAY (Ref # 35063)	35063-0240	1
NOZZLE-INJECTION (Ref # 49033)	49033-0011	1
PIPE-INJECTION (Ref # 49056)	49056-0018	1
PIN-DOWEL (Ref # 551)	551R0408	1
MANIFOLD-INTAKE (Ref # 59076)	59076-0003	1
RING-O (Ref # 92055)	92055-0118	1
RING-O,INJECTION NOZZLE (Ref # 92055A)	92055-1622	1
PLUG,12X25 (Ref # 92068)	92068-006	1
BAND,SUB-HARNESS (Ref # 92072)	92072-0012	1
SEAL (Ref # 92093)	92093-0072	1
BOLT,SOCKET,6X20 (Ref # 92151)	92151-3774	1
TUBE,SENSOR-THROB0 (Ref # 92192)	92192-0308	1