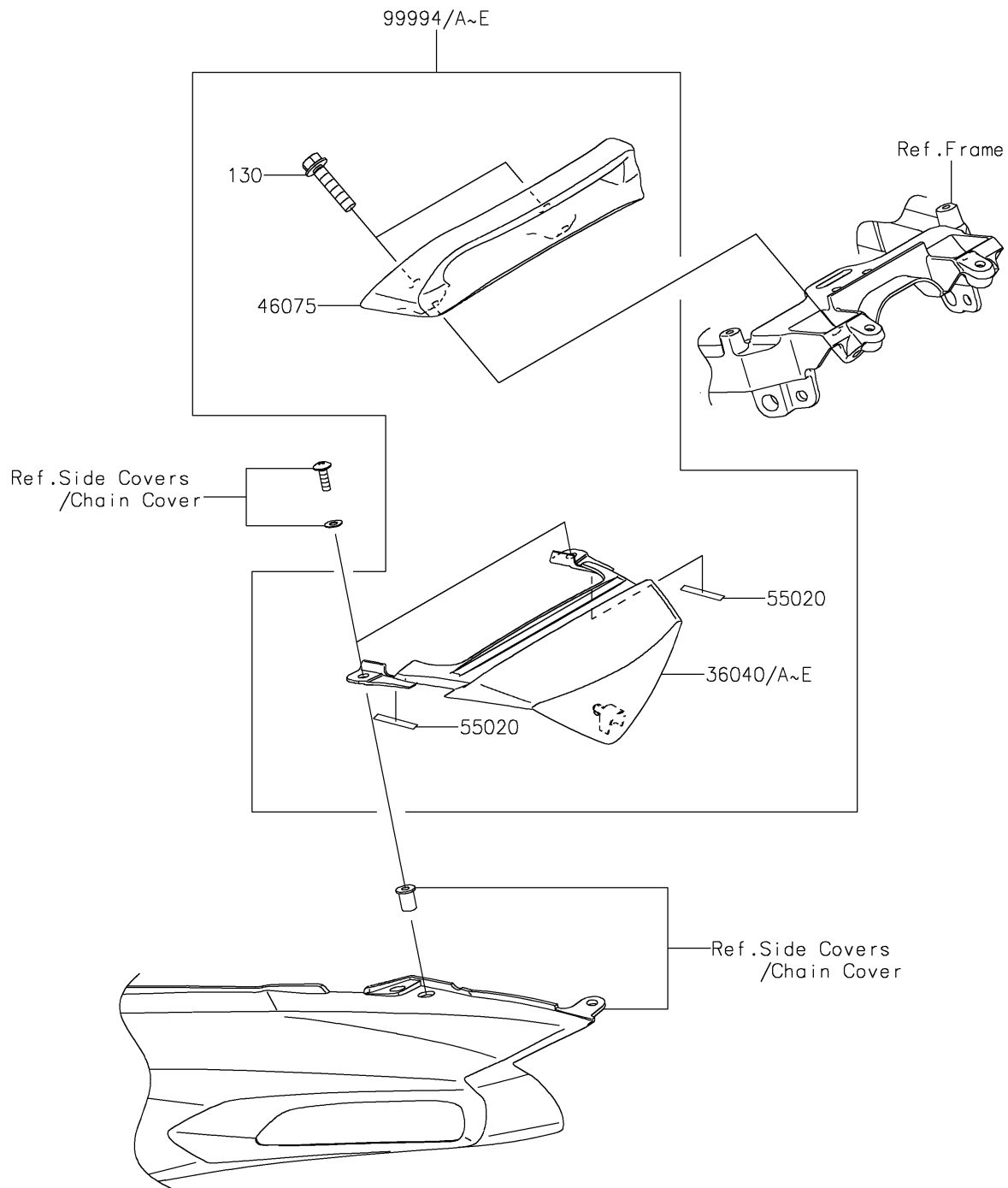


2017 Ninja ZX-14R ABS SE PARTS DIAGRAM

Accessory(Tail Grip)

F2910



2017 Ninja ZX-14R ABS SE PARTS LIST

Accessory(Tail Grip)

ITEM NAME	PART NUMBER	QUANTITY
BOLT-FLANGED,8X35 (Ref # 130)	130BA0835	2
COVER-TAIL,CNT,G.B.GREEN (Ref # 36040B)	36040-0059-40R	1
GRIP,TAIL,F.BLACK (Ref # 46075)	46075-1104-21	1
GUARD,TAIL COVER (Ref # 55020)	55020-0277	2
KIT,TAIL GRIP,G.B.GREEN (Ref # 99994B)	99994-0341-40R	1