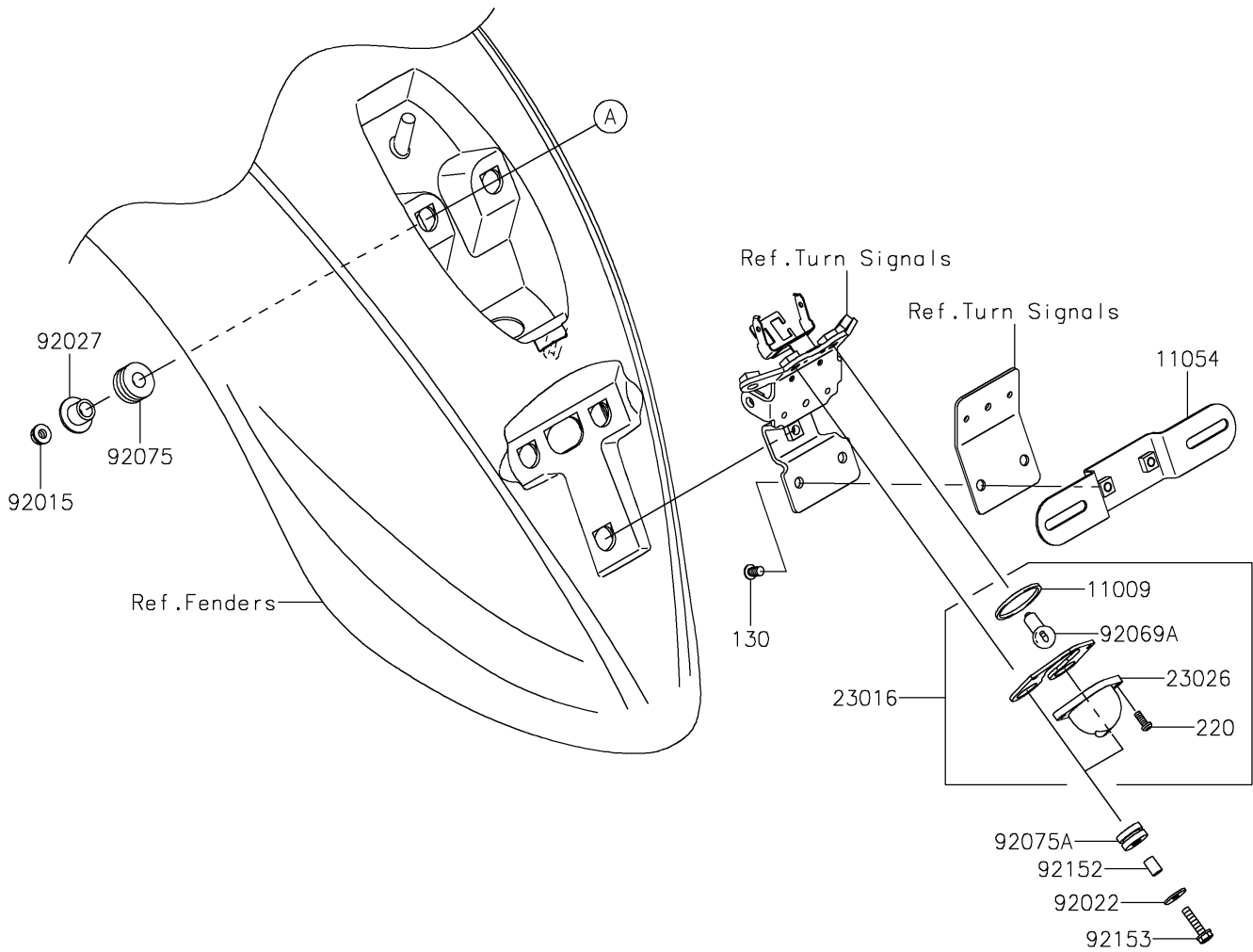
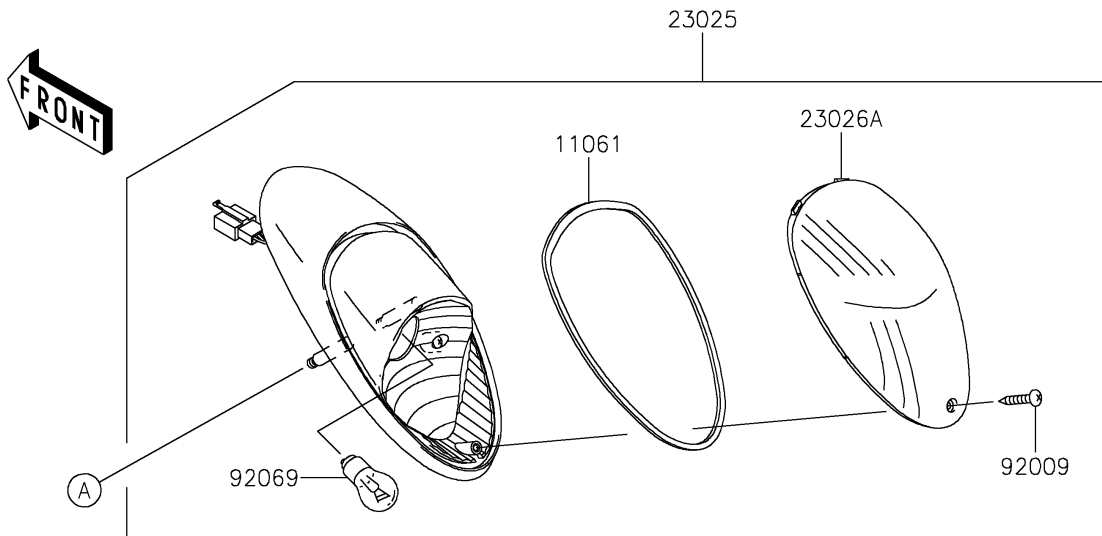


2016 Vulcan 900 Classic LT PARTS DIAGRAM

Taillight(s)

F2720



2016 Vulcan 900 Classic LT PARTS LIST

Taillight(s)

| ITEM NAME | PART NUMBER | QUANTITY |
|---|-------------|----------|
| GASKET,LICENSE PLATE LAMP (Ref # 11009) | 11009-1372 | 1 |
| BRACKET,LICENSE (Ref # 11054) | 11054-1761 | 1 |
| GASKET,TAIL LAMP LENS (Ref # 11061) | 11061-1089 | 1 |
| BOLT-FLANGED,6X14 (Ref # 130) | 130BB0614 | 1 |
| SCREW-PAN-CROS,4X10 (Ref # 220) | 220AA0410 | 1 |
| LAMP-ASSY,LICENSE (Ref # 23016) | 23016-0007 | 1 |
| LAMP-TAIL (Ref # 23025) | 23025-0025 | 1 |
| LENS,LAMP (Ref # 23026) | 23026-1054 | 1 |
| LENS,TAIL LAMP (Ref # 23026A) | 23026-1246 | 1 |
| SCREW,TAPPING,4X16 (Ref # 92009) | 92009-1966 | 1 |
| NUT,FLANGED,6MM (Ref # 92015) | 92015-1367 | 1 |
| WASHER,6.5X20X1.6 (Ref # 92022) | 92022-1557 | 1 |
| COLLAR,L=13.1,BLACK (Ref # 92027) | 92027-1450 | 1 |
| BULB,12V 21/5W (Ref # 92069) | 92069-063 | 1 |
| BULB,12V 5W (Ref # 92069A) | 92069-1055 | 1 |
| DAMPER,10X24X12 (Ref # 92075) | 92075-1690 | 1 |
| DAMPER (Ref # 92075A) | 92075-209 | 1 |
| COLLAR,6.8X10X13 (Ref # 92152) | 92152-0580 | 1 |
| BOLT,FLANGED,6X25 (Ref # 92153) | 92153-0514 | 1 |