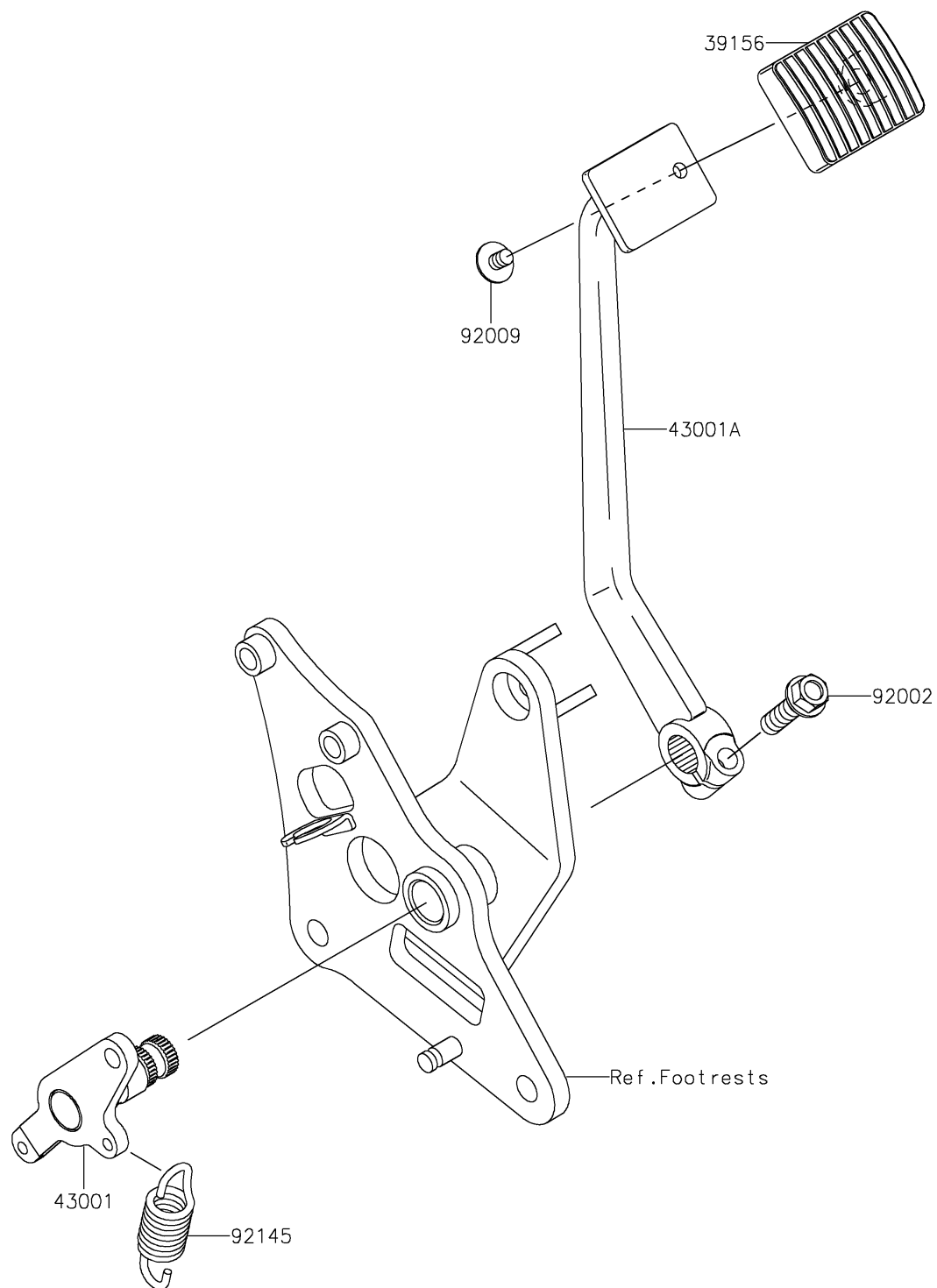


2018 VULCAN® 900 CUSTOM PARTS DIAGRAM

Brake Pedal/Torque Link

F2260



2018 VULCAN® 900 CUSTOM PARTS LIST

Brake Pedal/Torque Link

| ITEM NAME | PART NUMBER | QUANTITY |
|---|-------------|----------|
| PAD (Ref # 39156) | 39156-1641 | 1 |
| LEVER-BRAKE (Ref # 43001) | 43001-0057 | 1 |
| LEVER-BRAKE,PEDAL (Ref # 43001A) | 43001-0114 | 1 |
| BOLT,FLANGED,8X25 (Ref # 92002) | 92002-1201 | 1 |
| SCREW,6X8 (Ref # 92009) | 92009-1677 | 1 |
| SPRING,BRAKE PEDAL RETURN (Ref # 92145) | 92145-0191 | 1 |