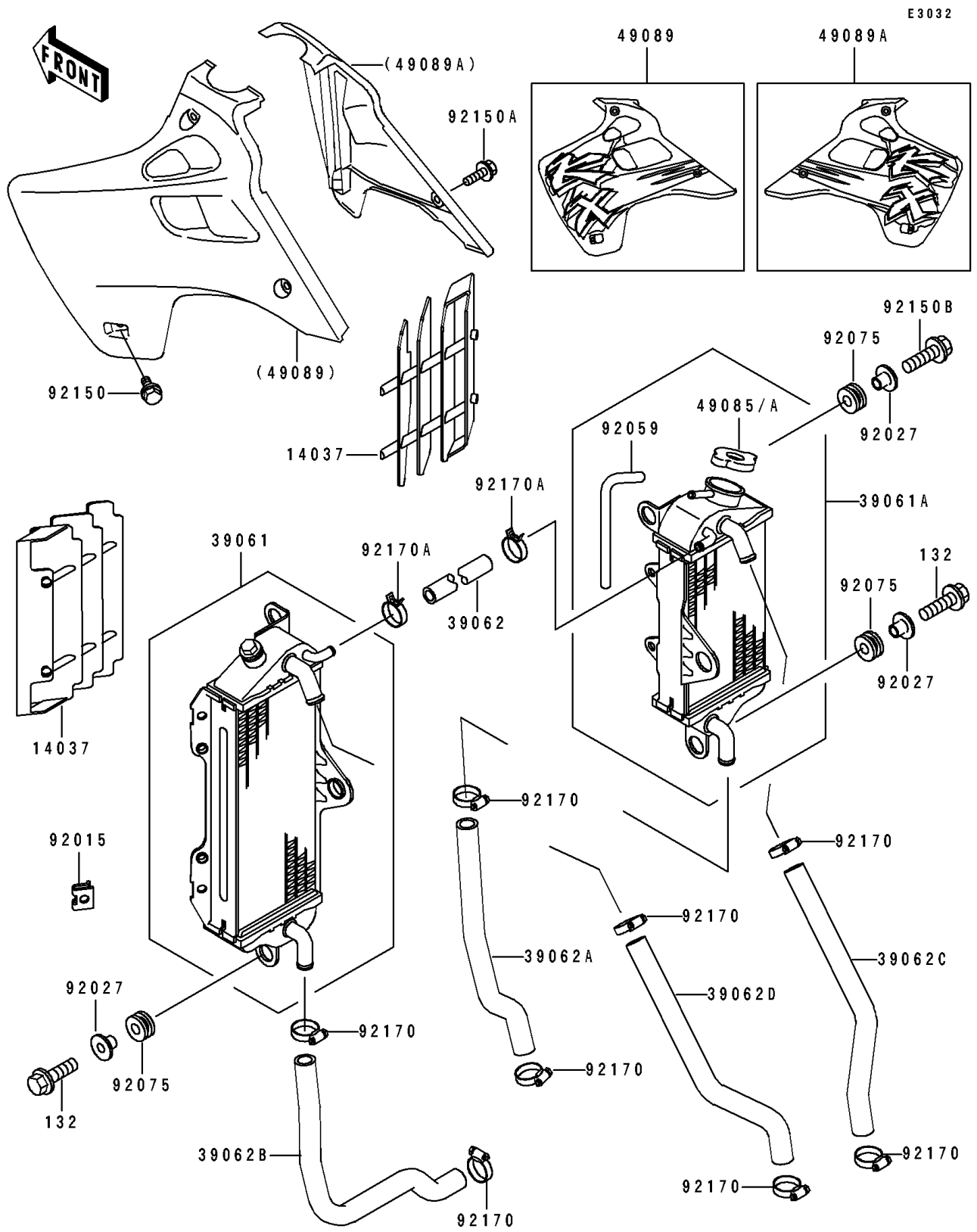


## 1992 KX250 PARTS DIAGRAM

Radiator



E3032

## 1992 KX250 PARTS LIST

Radiator

ITEM NAME	PART NUMBER	QUANTITY
SCREEN,L.GREEN (Ref # 14037)	14037-1099-6W	1
RADIATOR-ASSY,LH (Ref # 39061)	39061-1173	1
RADIATOR-ASSY,RH (Ref # 39061A)	39061-1175	1
HOSE-COOLING,RADIATOR,LH-RH (Ref # 39062)	39062-1368	1
HOSE-COOLING,RADIATOR,R-PUMP (Ref # 39062A)	39062-1370	1
HOSE-COOLING,RADIATOR,L-PUMP (Ref # 39062B)	39062-1470	1
HOSE-COOLING,HEAD-RADIATOR,RH (Ref # 39062C)	39062-1501	1
HOSE-COOLING,HEAD-RADIATOR,LH (Ref # 39062D)	39062-1502	1
CAP-ASSY-PRESSURE (Ref # 49085)	49085-1003	1
CAP-ASSY-PRESSURE,P=1.6 (Ref # 49085A)	49085-1059	1
SHROUD-ENGINE,LH,L.GREEN (Ref # 49089)	49089-5139-6W	1
SHROUD-ENGINE,RH,L.GREEN (Ref # 49089A)	49089-5140-6W	1
NUT (Ref # 92015)	92015-1487	1
COLLAR,L=11.1 (Ref # 92027)	92027-194	1
TUBE,5X9X800 (Ref # 92059)	92059-1383	1
DAMPER (Ref # 92075)	92075-209	1
BOLT,6X14 (Ref # 92150)	92150-1392	1
BOLT,6X12 (Ref # 92150A)	92150-1435	1
BOLT,FLANGED,6X25 (Ref # 92150B)	92150-1507	1
CLAMP,COOLING HOSE (Ref # 92170)	92170-1126	1
CLAMP (Ref # 92170A)	92170-1167	1
BOLT-FLANGED-SMALL (Ref # 132)	132G0620	1