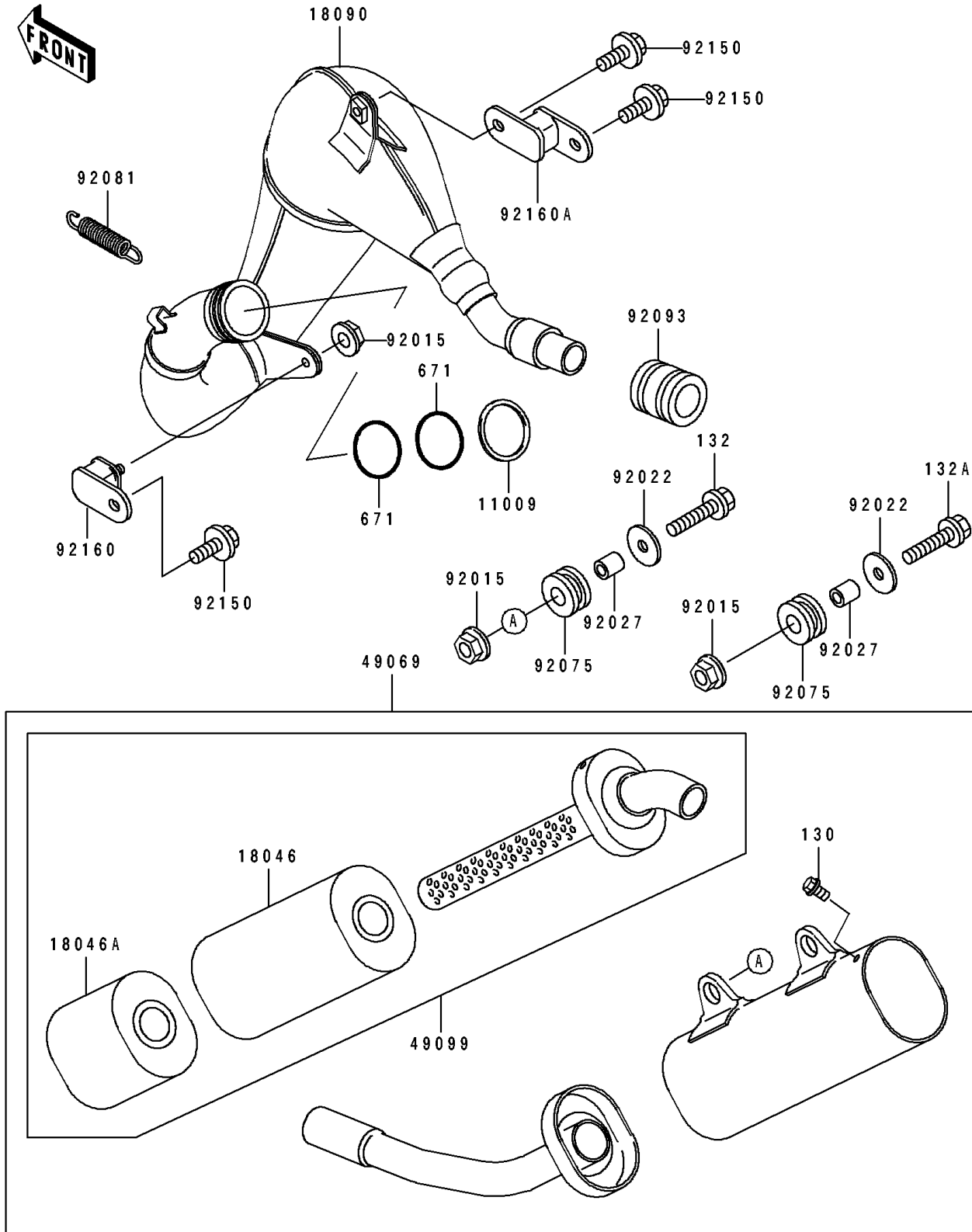


1992 KX250 PARTS DIAGRAM

Muffler

E1140



1992 KX250 PARTS LIST

Muffler

ITEM NAME	PART NUMBER	QUANTITY
GASKET,EXHAUST PIPE (Ref # 11009)	11009-1949	1
WOOL,BAFFLE PIPE,RR (Ref # 18046)	18046-1122	1
WOOL,BAFFLE PIPE,FR (Ref # 18046A)	18046-1132	1
BODY-COMP-MUFFLER (Ref # 18090)	18090-1152	1
MUFFLER-ASSY (Ref # 49069)	49069-1143	1
BAFFLE-PIPE MUFFLER (Ref # 49099)	49099-1346	1
NUT,FLANGED,6MM (Ref # 92015)	92015-1078	1
WASHER,6.5X22X1.6 (Ref # 92022)	92022-237	1
COLLAR,6.8X10X11.5 (Ref # 92027)	92027-1210	1
DAMPER,MUFFLER FITTING (Ref # 92075)	92075-1857	1
SPRING (Ref # 92081)	92081-1526	1
SEAL,MUFFLER CONNECTING (Ref # 92093)	92093-1328	1
BOLT,6X12 (Ref # 92150)	92150-1435	1
DAMPER,MUFFLER,FR (Ref # 92160)	92160-1176	1
DAMPER,MUFFLER,RR (Ref # 92160A)	92160-1201	1
BOLT-FLANGED (Ref # 130)	130G0508	1
BOLT-FLANGED-SMALL (Ref # 132)	132G0630	1
BOLT-FLANGED-SMALL (Ref # 132A)	132G0635	1
O RING,50MM (Ref # 671)	671E2550	1