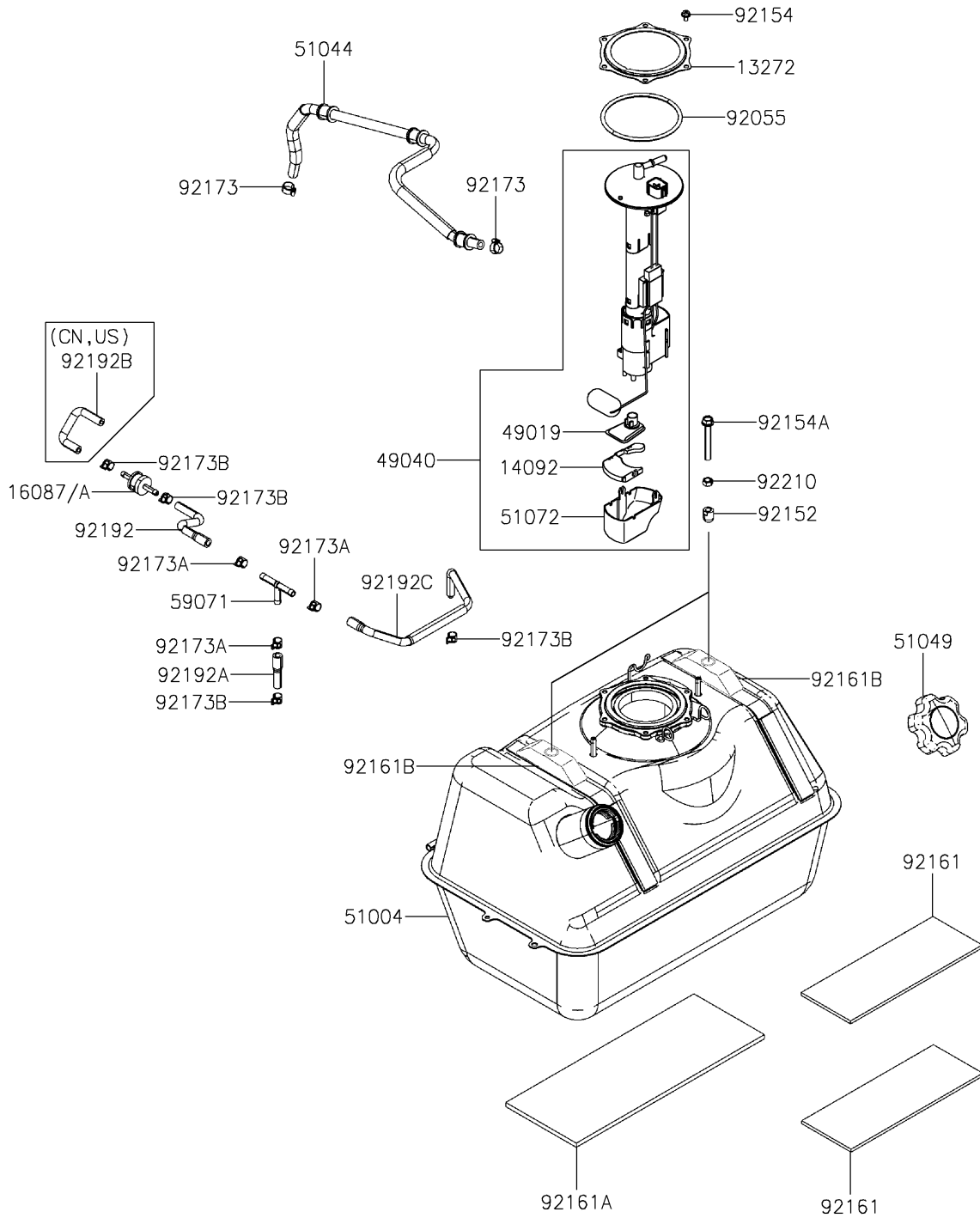


## 2020 MULE PRO-MX™ EPS CAMO PARTS DIAGRAM

Fuel Tank

F2410



## 2020 MULE PRO-MX™ EPS CAMO PARTS LIST

### Fuel Tank

| ITEM NAME                         | PART NUMBER | QUANTITY |
|-----------------------------------|-------------|----------|
| PLATE,FUEL PUMP (Ref # 13272)     | 13272-Y030  | 1        |
| COVER (Ref # 14092)               | 14092-1044  | 1        |
| VALVE-CHECK (Ref # 16087)         | 16087-0008  | 1        |
| VALVE-CHECK (Ref # 16087A)        | 16087-0009  | 1        |
| FILTER-FUEL (Ref # 49019)         | 49019-0013  | 1        |
| PUMP-FUEL (Ref # 49040)           | 49040-0716  | 1        |
| TANK-FUEL (Ref # 51004)           | 51004-Y001  | 1        |
| TUBE-ASSY,FUEL TANK (Ref # 51044) | 51044-0896  | 1        |
| CAP-TANK (Ref # 51049)            | 51049-Y005  | 1        |
| CHAMBER-FUEL (Ref # 51072)        | 51072-0003  | 1        |
| JOINT,3 WAY (Ref # 59071)         | 59071-Y008  | 1        |
| RING-O,FUEL PUMP (Ref # 92055)    | 92055-Y057  | 1        |
| COLLAR (Ref # 92152)              | 92152-Y057  | 1        |
| BOLT,5X10 (Ref # 92154)           | 92154-Y119  | 1        |
| BOLT,FLANGE,8X60 (Ref # 92154A)   | 92154-Y207  | 1        |
| DAMPER,FUEL TANK (Ref # 92161)    | 92161-Y040  | 1        |
| DAMPER,FUEL TANK (Ref # 92161A)   | 92161-Y041  | 1        |
| DAMPER (Ref # 92161B)             | 92161-Y042  | 1        |
| CLAMP,12.5MM (Ref # 92173)        | 92173-Y043  | 1        |
| CLAMP (Ref # 92173A)              | 92173-Y051  | 1        |
| CLAMP (Ref # 92173B)              | 92173-Y081  | 1        |
| TUBE (Ref # 92192)                | 92192-Y060  | 1        |
| TUBE (Ref # 92192A)               | 92192-Y061  | 1        |
| TUBE (Ref # 92192B)               | 92192-Y062  | 1        |
| TUBE (Ref # 92192C)               | 92192-Y073  | 1        |
| NUT,HEX,8MM (Ref # 92210)         | 92210-Y079  | 1        |