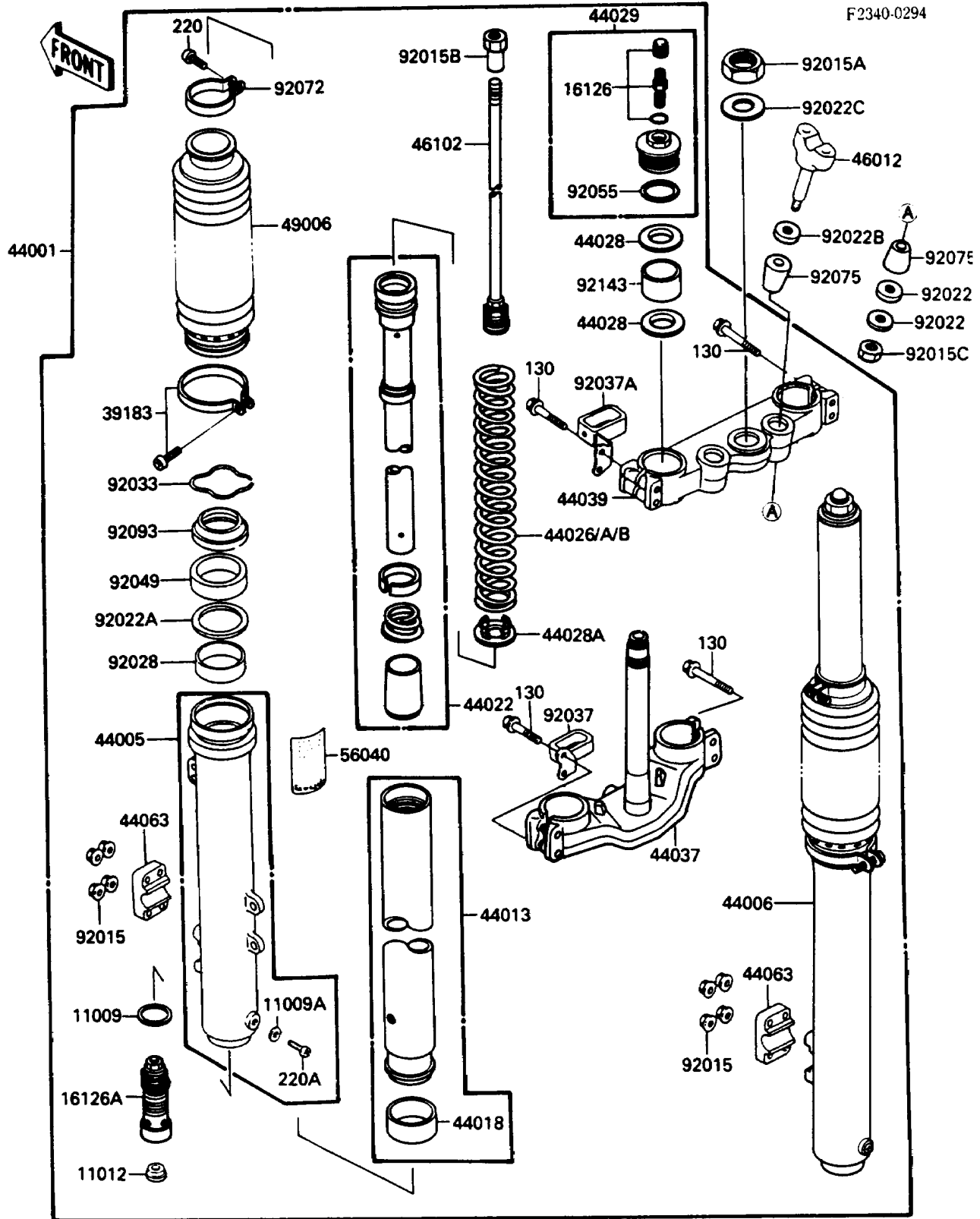


# 1988 KX™ 250 PARTS DIAGRAM

Front Fork



# 1988 KX™ 250 PARTS LIST

## Front Fork

ITEM NAME	PART NUMBER	QUANTITY
GASKET,FORK CYLINDER BOLT (Ref # 11009)	11009-1592	2
GASKET,FORK DRAIN PLUG (Ref # 11009A)	44045-002	2
CAP,FORK CYLINDER (Ref # 11012)	11012-1381	2
VALVE,AIR (Ref # 16126)	16126-1052	2
VALVE,FORK CYLINDER (Ref # 16126A)	16126-1206	2
BAND-ASSY,BOOT (Ref # 39183)	39183-1054	2
FORK-FRONT (Ref # 44001)	44001-1674	1
PIPE-LEFT FORK OUTER (Ref # 44005)	44005-1270	1
PIPE-RIGHT FORK OUTER (Ref # 44006)	44006-1267	1
PIPE-FORK INNER (Ref # 44013)	44013-1276	2
BUSHING-FRONT FORK,INNER PIPE (Ref # 44018)	44018-1005	2
CYLINDER-FORK (Ref # 44022)	44022-1224	2
SPRING-FRONT FORK,K=0.38 (Ref # 44026)	44026-1391	2
SPRING-FRONT FORK,K=0.365 (Ref # 44026A)	44026-1393	2
SPRING-FRONT FORK,K=0.39 (Ref # 44026B)	44026-1394	2
GUIDE-FORK SPRING (Ref # 44028)	44028-1011	4
GUIDE-FORK SPRING (Ref # 44028A)	44028-1062	2
SEAT-FORK SPRING (Ref # 44029)	44029-1129	2
HOLDER-FORK UNDER (Ref # 44037)	44037-1236	1
HOLDER-FORK UPPER (Ref # 44039)	44039-1176	1
HOLDER-FRONT AXLE (Ref # 44063)	44063-1008	2
HOLDER-HANDLE,LWR (Ref # 46012)	46012-1192	2
ROD,FORK (Ref # 46102)	46102-1237	2
BOOT,FORK (Ref # 49006)	49006-1239	2
LABEL-WARNING,FRONT FORK (Ref # 56040)	56040-1120	1
NUT,FLANGED,6MM (Ref # 92015)	92015-1078	8
NUT,STEERING STEM,22MM (Ref # 92015A)	92015-1653	1
NUT (Ref # 92015B)	92015-1680	2
NUT,LOCK,10MM (Ref # 92015C)	92019-021	2

# 1988 KX™ 250 PARTS LIST

## Front Fork

ITEM NAME	PART NUMBER	QUANTITY
WASHER,10.2X28X2 (Ref # 92022)	92022-1088	2
WASHER (Ref # 92022A)	92022-1299	2
WASHER (Ref # 92022B)	92022-1737	4
WASHER,STEERING STEM (Ref # 92022C)	92022-1873	1
BUSHING (Ref # 92028)	92028-1145	2
RING-SNAP (Ref # 92033)	92033-1077	2
CLAMP (Ref # 92037)	92037-1627	1
CLAMP (Ref # 92037A)	92037-1628	1
SEAL-OIL,FORK OUTER TUBE (Ref # 92049)	92049-1316	2
RING-O (Ref # 92055)	92055-1123	2
BAND,BOOT (Ref # 92072)	92072-1077	2
DAMPER (Ref # 92075)	92075-1776	4
SEAL,FORK DUST (Ref # 92093)	92093-1260	2
COLLAR,FORK,L=38 (Ref # 92143)	92143-1172	2
BOLT-FLANGED,8X40 (Ref # 130)	130G0840	8
SCREW-PAN-CROS (Ref # 220)	220B0316	2
SCREW-PAN-CROS (Ref # 220A)	220B0408	2