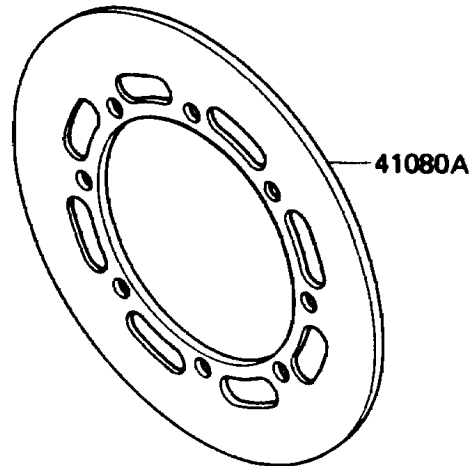
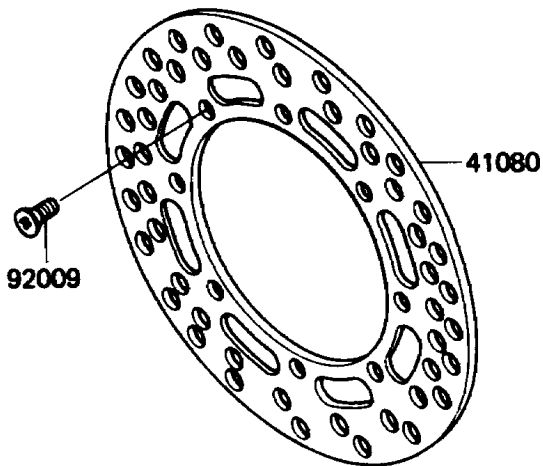
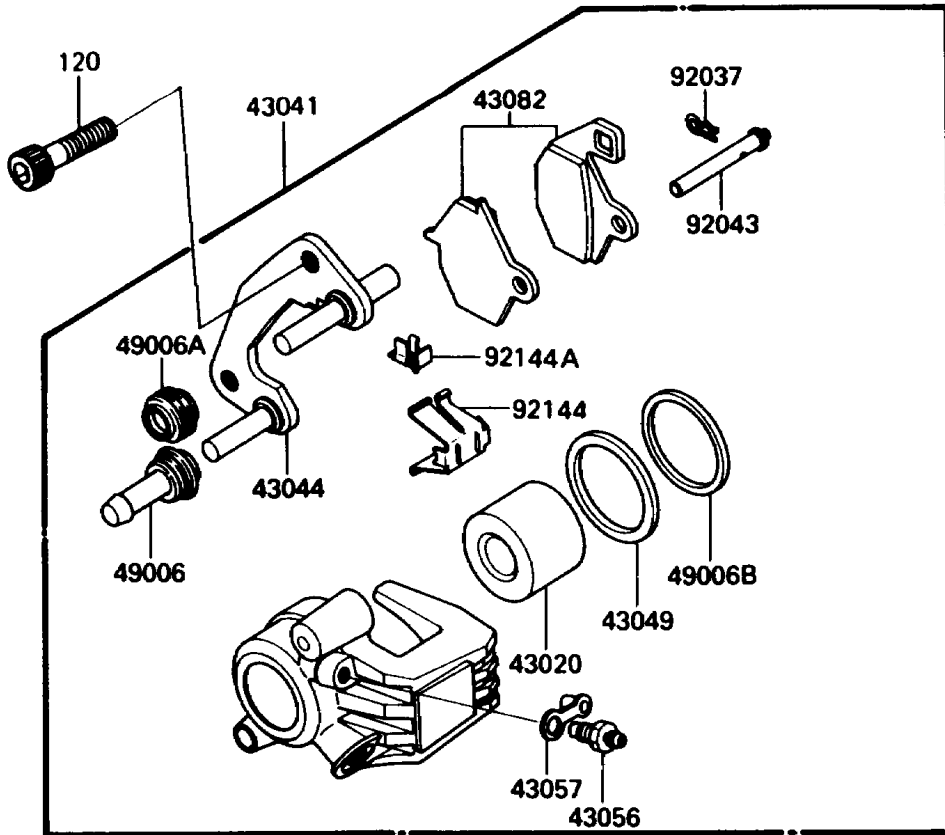


# 1988 KX™ 250 PARTS DIAGRAM

Front Brake

F2292-0098



# 1988 KX™ 250 PARTS LIST

## Front Brake

ITEM NAME	PART NUMBER	QUANTITY
DISC,FR (Ref # 41080)	41080-1147	1
DISC,FR (Ref # 41080A)	41080-1188	1
PISTON-COMP-BRAKE (Ref # 43020)	43020-1072	1
CALIPER-ASSY,FR (Ref # 43041)	43041-1243	1
HOLDER-COMP-CALIPER,FR (Ref # 43044)	43044-1069	1
PACKING,PISTON SEAL (Ref # 43049)	43049-001	1
BREATHER (Ref # 43056)	43056-003	1
CAP-BREATHER (Ref # 43057)	43057-003	1
PAD-ASSY-BRAKE (Ref # 43082)	43082-1072	1
BOOT,CALIPER (Ref # 49006)	49006-1054	1
BOOT,CALIPER (Ref # 49006A)	49006-1055	1
BOOT,PISTON SEAL (Ref # 49006B)	49006-1212	1
SCREW,6X10 (Ref # 92009)	92009-1375	8
CLAMP,PAD (Ref # 92037)	43084-003	1
PIN,PAD (Ref # 92043)	92043-1356	1
SPRING,PAD (Ref # 92144)	92144-1117	1
SPRING,PAD STOPPER (Ref # 92144A)	92144-1118	1
BOLT-SOCKET,8X20 (Ref # 120)	120P0820	2