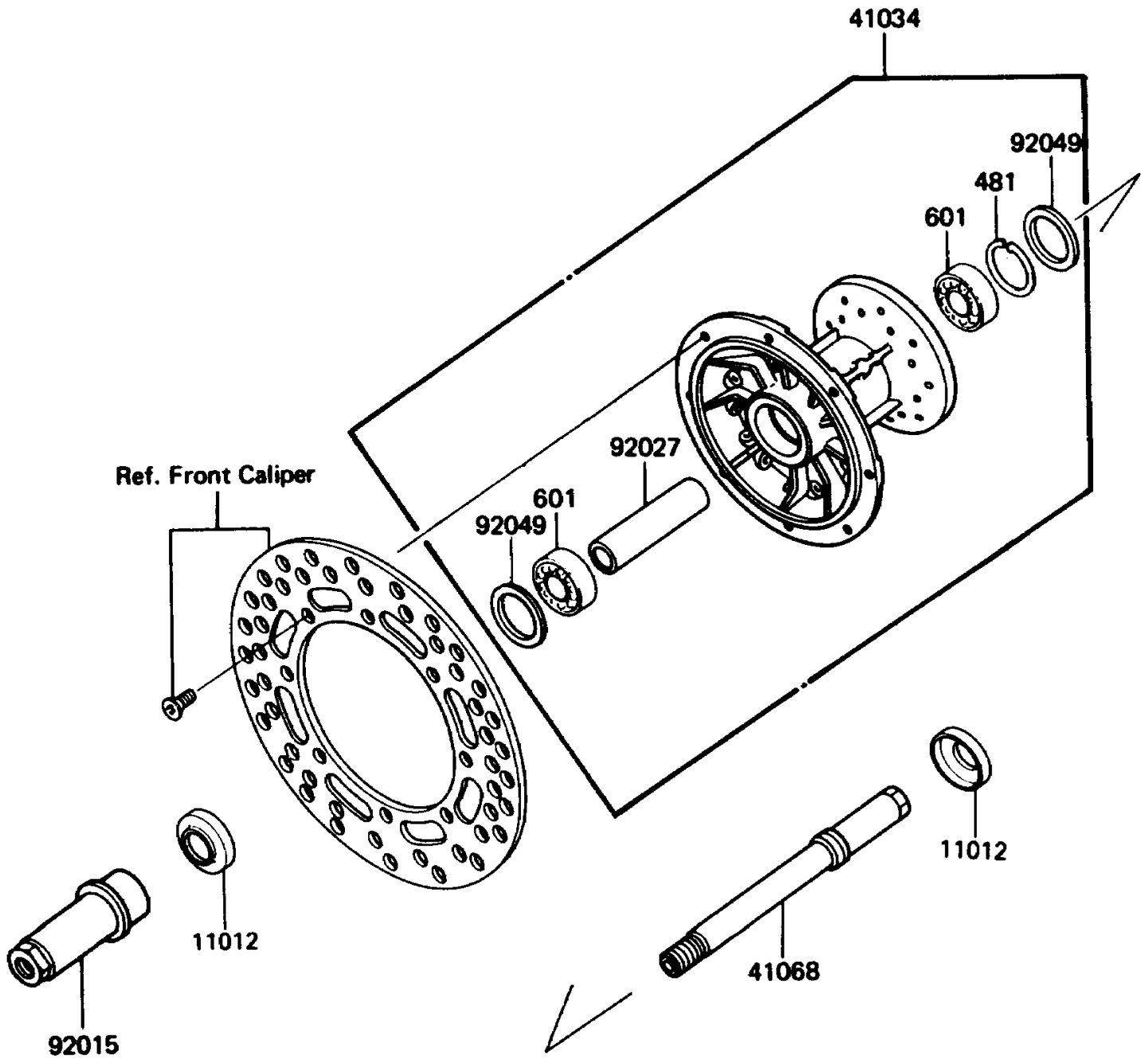


# 1988 KX™ 250 PARTS DIAGRAM

Front Hub

F2230-0163



# 1988 KX™ 250 PARTS LIST

## Front Hub

| ITEM NAME                               | PART NUMBER | QUANTITY |
|---|-------------|----------|
| CAP,FRONT AXLE (Ref # 11012)            | 11012-1580  | 2        |
| DRUM-ASSY,FRONT BRAKE (Ref # 41034)     | 41034-1170  | 1        |
| AXLE,FR (Ref # 41068)                   | 41068-1241  | 1        |
| NUT,FRONT AXLE (Ref # 92015)            | 92015-1654  | 1        |
| COLLAR,FR BRAKE DRUM,L=78 (Ref # 92027) | 92027-1829  | 1        |
| SEAL-OIL,BSNC2 22404 (Ref # 92049)      | 92049-1204  | 2        |
| CIRCLIP-TYPE-C,40MM (Ref # 481)         | 481J4000    | 1        |
| BEARING-BALL,#6203LUC3/2A (Ref # 601)   | 601B6203U   | 2        |