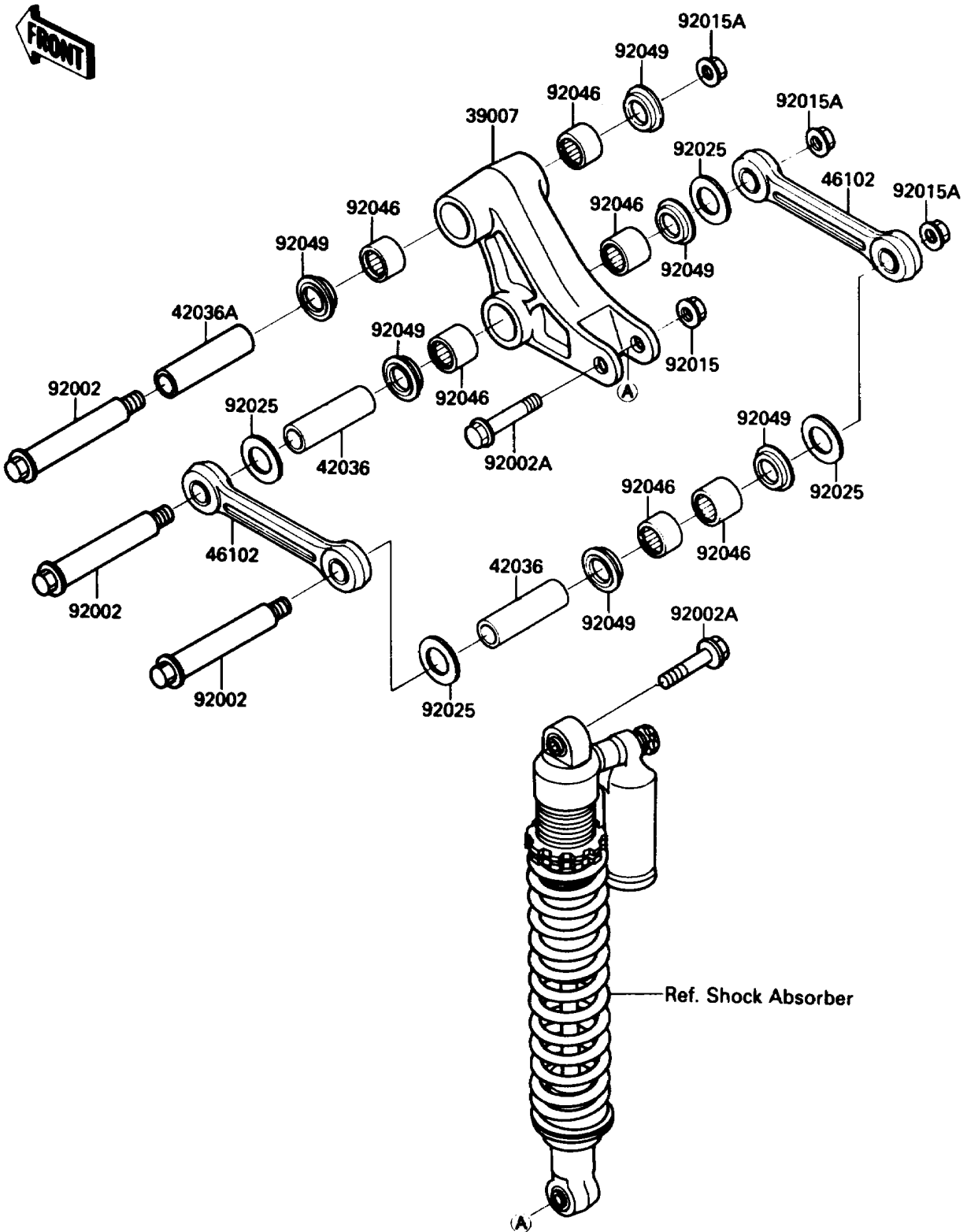


1988 KX™ 250 PARTS DIAGRAM

Rear Suspension

F2150-0083



1988 KX™ 250 PARTS LIST

Rear Suspension

ITEM NAME	PART NUMBER	QUANTITY
ARM-SUSP,UNI TRAK (Ref # 39007)	39007-1145	1
SLEEVE,22X65 (Ref # 42036)	42036-1209	2
SLEEVE,22X72 (Ref # 42036A)	42036-1210	1
ROD,SUSPENSION (Ref # 46102)	46102-1246	2
BOLT,ARM,12MM (Ref # 92002)	92002-1890	3
BOLT,FLANGED,10X53 (Ref # 92002A)	92002-1936	2
NUT,FLANGED,10MM (Ref # 92015)	92015-1415	1
NUT,FLANGED,12MM (Ref # 92015A)	92015-1433	3
SHIM,15.3X27.5X0.6 (Ref # 92025)	92025-1135	4
BEARING-NEEDLE,F-2220 (Ref # 92046)	92046-1162	6
SEAL-OIL,MHA22 28 5.7F (Ref # 92049)	92049-1254	6