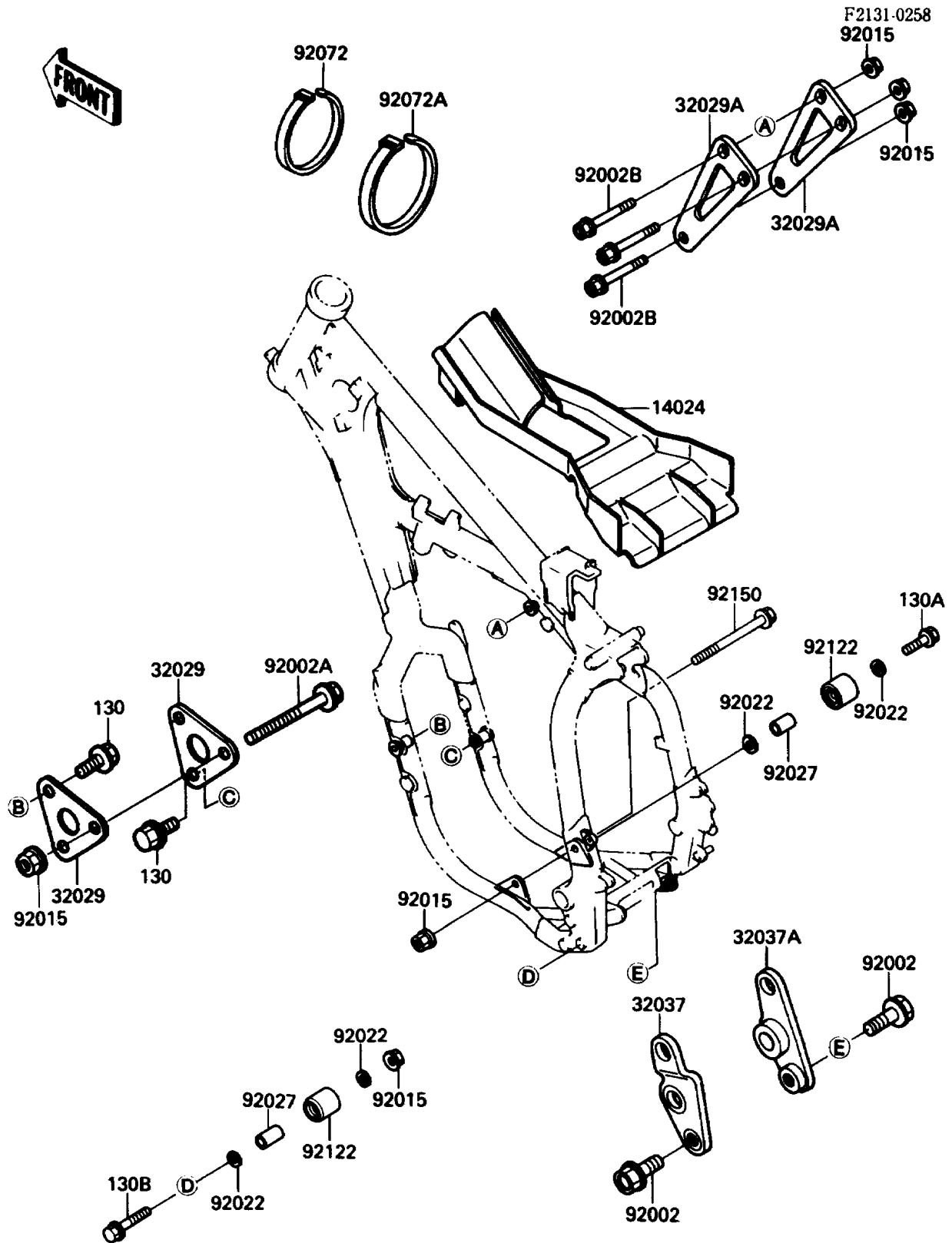


# 1988 KX™ 250 PARTS DIAGRAM

## Frame Fittings



# 1988 KX™ 250 PARTS LIST

## Frame Fittings

ITEM NAME	PART NUMBER	QUANTITY
COVER,AIR FILTER (Ref # 14024)	14024-1561	1
BRACKET-ENGINE (Ref # 32029)	32029-1507	2
BRACKET-ENGINE (Ref # 32029A)	32029-1570	2
BRACKET-SHOCKABSORBER,LH (Ref # 32037)	32037-1461	1
BRACKET-SHOCKABSORBER,RH (Ref # 32037A)	32037-1462	1
BOLT,FLANGED,12X24 (Ref # 92002)	92002-1845	2
BOLT,FLANGED,8X90 (Ref # 92002A)	92002-1849	1
BOLT,FLANGED,8X47 (Ref # 92002B)	92002-1850	3
NUT,8MM (Ref # 92015)	92015-1143	6
WASHER,8.5X22X1.5 (Ref # 92022)	92022-1629	4
COLLAR,CHAIN ROLLER (Ref # 92027)	92027-1670	2
BAND,L=149 (Ref # 92072)	92072-031	1
BAND,L=218 (Ref # 92072A)	92072-032	1
ROLLER,CHAIN GUIDE (Ref # 92122)	92122-1153	2
BOLT,FLANGED,8X105 (Ref # 92150)	92001-1649	1
BOLT-FLANGED,8X25 (Ref # 130)	130G0825	4
BOLT-FLANGED,8X40 (Ref # 130A)	130G0840	1
BOLT-FLANGED,8X70 (Ref # 130B)	130G0870	1