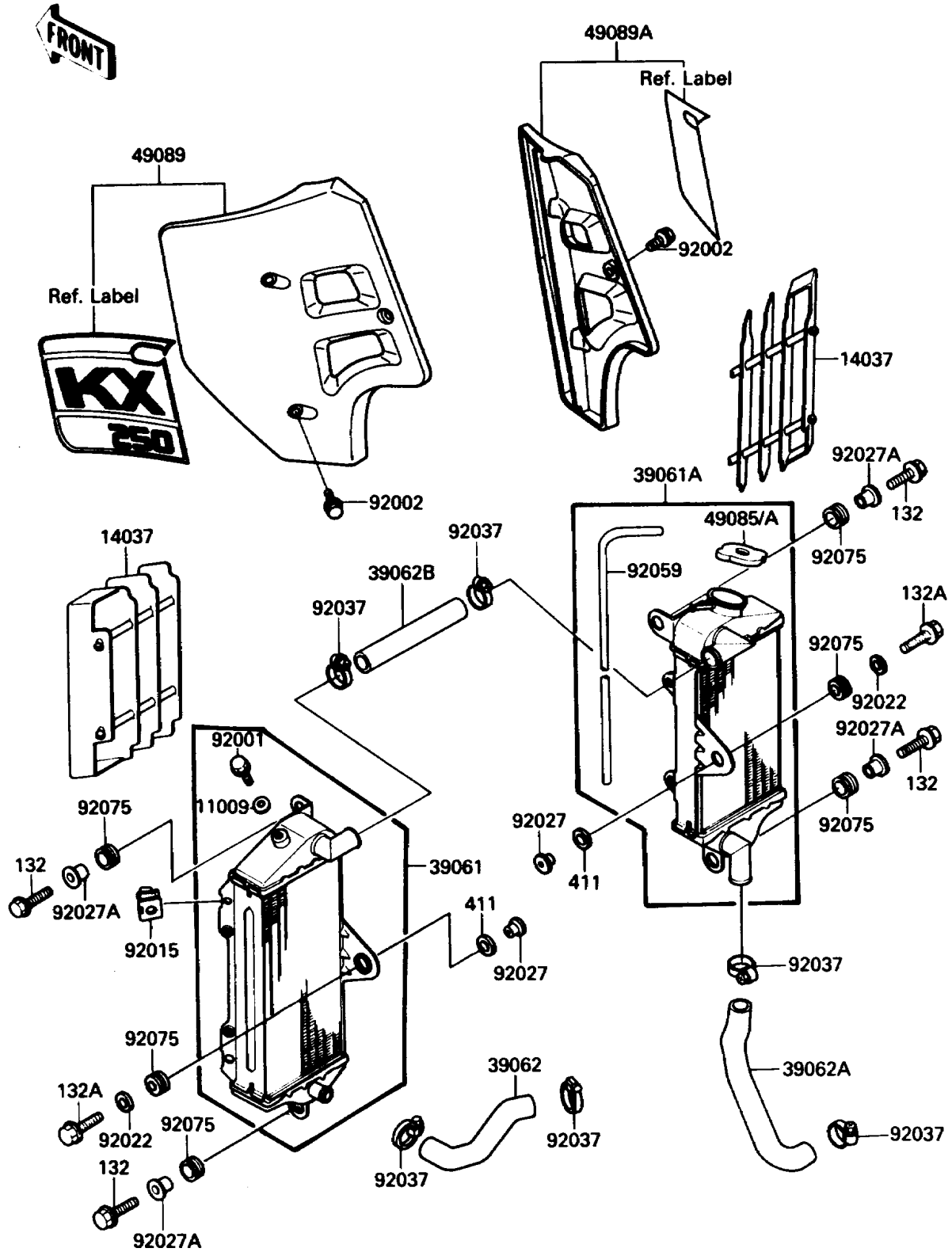


# 1988 KX™ 250 PARTS DIAGRAM

Radiator

E3032-0065



# 1988 KX™ 250 PARTS LIST

## Radiator

ITEM NAME	PART NUMBER	QUANTITY
GASKET,DRAIN BOLT (Ref # 11009)	11009-1152	1
SCREEN,L.GREEN (Ref # 14037)	14037-1099-6W	2
RADIATOR-ASSY,LH (Ref # 39061)	39061-1100	1
RADIATOR-ASSY,RH (Ref # 39061A)	39061-1101	1
HOSE-COOLING,CYLINDER HEAD (Ref # 39062)	39062-1094	1
HOSE-COOLING,DRAIN (Ref # 39062A)	39062-1211	1
HOSE-COOLING,RADIATOR,LH-RH (Ref # 39062B)	39062-1213	1
CAP-ASSY-PRESSURE (Ref # 49085)	49085-1003	1
CAP-ASSY-PRESSURE,P=1.6 (Ref # 49085A)	49085-1059	1
SHROUD-ENGINE,LH,L.GREEN (Ref # 49089)	49089-5037-6W	1
SHROUD-ENGINE,RH,L.GREEN (Ref # 49089A)	49089-5038-6W	1
BOLT,RADIATOR DRAIN (Ref # 92001)	92001-1277	1
BOLT,L=12 (Ref # 92002)	92002-1662	6
NUT (Ref # 92015)	92015-1487	4
WASHER,6.5X20X1.6 (Ref # 92022)	92022-125	2
COLLAR (Ref # 92027)	92027-1183	2
COLLAR,L=11.1 (Ref # 92027A)	92027-194	4
CLAMP,COOLING HOSE (Ref # 92037)	92037-1589	6
TUBE,5X9X800 (Ref # 92059)	92059-1383	1
DAMPER (Ref # 92075)	92075-209	6
BOLT-FLANGED-SMALL (Ref # 132)	132G0620	4
BOLT-FLANGED-SMALL (Ref # 132A)	132G0625	2
WASHER-PLAIN,10MM (Ref # 411)	411B1000	2